

FEATURES
Low power

- 16 ADC channels integrated into 1 package
- 58 mW per channel at 65 MSPS with scalable power options
- 35 mW per channel at 20 MSPS

SNR: 75 dBFS (to Nyquist); SFDR: 90 dBc (to Nyquist)

DNL: ± 0.6 LSB (typical); INL: ± 0.9 LSB (typical)

Crosstalk, worst adjacent channel, 10 MHz, -1 dBFS: -90 dB typical

Serial LVDS (ANSI-644, default)

Low power, reduced signal option (similar to IEEE 1596.3)

Data and frame clock outputs

650 MHz full power analog bandwidth

2 V p-p input voltage range

1.8 V supply operation

Serial port control

- Flexible bit orientation
- Built in and custom digital test pattern generation
- Programmable clock and data alignment
- Power-down and standby modes

APPLICATIONS

- Medical imaging
- Communications receivers
- Multichannel data acquisition

GENERAL DESCRIPTION

The AD9249 is a 16-channel, 14-bit, 65 MSPS analog-to-digital converter (ADC) with an on-chip sample-and-hold circuit that is designed for low cost, low power, small size, and ease of use. The device operates at a conversion rate of up to 65 MSPS and is optimized for outstanding dynamic performance and low power in applications where a small package size is critical.

The ADC requires a single 1.8 V power supply and an LVPECL-/CMOS-/LVDS-compatible sample rate clock for full performance operation. No external reference or driver components are required for many applications.

The AD9249 automatically multiplies the sample rate clock for the appropriate LVDS serial data rate. Data clock outputs (DCO ± 1 , DCO ± 2) for capturing data on the output and frame clock outputs (FCO ± 1 , FCO ± 2) for signaling a new output byte are provided. Individual channel power-down is supported, and the device typically consumes less than 2 mW when all channels are disabled.

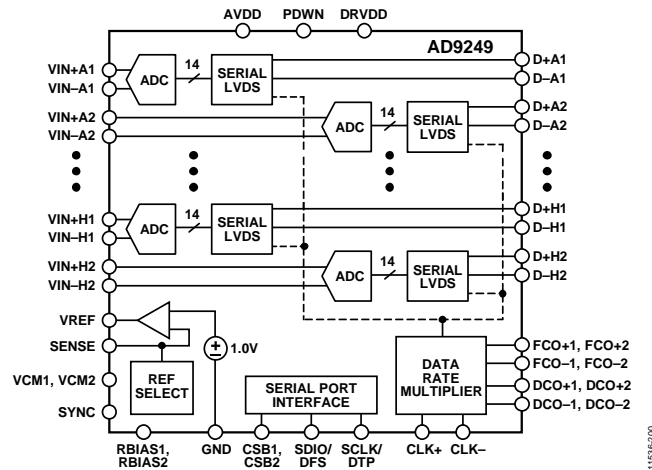
SIMPLIFIED FUNCTIONAL BLOCK DIAGRAM


Figure 1.

The ADC contains several features designed to maximize flexibility and minimize system cost, such as programmable clock and data alignment and programmable digital test pattern generation.

The available digital test patterns include built-in deterministic and pseudorandom patterns, along with custom user-defined test patterns entered via the serial port interface (SPI).

The AD9249 is available in an RoHS-compliant, 144-ball CSP-BGA. It is specified over the industrial temperature range of -40°C to $+85^{\circ}\text{C}$. This product is protected by a U.S. patent.

PRODUCT HIGHLIGHTS

1. Small Footprint. Sixteen ADCs are contained in a small, 10 mm \times 10 mm package.
2. Low Power. 35 mW/channel at 20 MSPS with scalable power options.
3. Ease of Use. Data clock outputs (DCO ± 1 , DCO ± 2) operate at frequencies of up to 455 MHz and support double data rate (DDR) operation.
4. User Flexibility. SPI control offers a wide range of flexible features to meet specific system requirements.

TABLE OF CONTENTS

| | | | |
|---|----|---|----|
| Features | 1 | Digital Outputs and Timing | 21 |
| Applications | 1 | Built-In Output Test Modes | 25 |
| General Description | 1 | Output Test Modes | 25 |
| Simplified Functional Block Diagram | 1 | Serial Port Interface (SPI) | 26 |
| Product Highlights | 1 | Configuration Using the SPI | 26 |
| Revision History | 2 | Hardware Interface | 27 |
| Functional Block Diagram | 3 | Configuration Without the SPI | 27 |
| Specifications | 4 | SPI Accessible Features | 27 |
| DC Specifications | 4 | Memory Map | 28 |
| AC Specifications | 5 | Reading the Memory Map Register Table | 28 |
| Digital Specifications | 6 | Memory Map Register Table | 29 |
| Switching Specifications | 7 | Memory Map Register Descriptions | 32 |
| Timing Specifications | 9 | Applications Information | 34 |
| Absolute Maximum Ratings | 10 | Design Guidelines | 34 |
| Thermal Characteristics | 10 | Power and Ground Recommendations | 34 |
| ESD Caution | 10 | Board Layout Considerations | 34 |
| Pin Configuration and Function Descriptions | 11 | Clock Stability Considerations | 35 |
| Typical Performance Characteristics | 13 | VCM | 35 |
| Equivalent Circuits | 16 | Reference Decoupling | 35 |
| Theory of Operation | 17 | SPI Port | 35 |
| Analog Input Considerations | 17 | Outline Dimensions | 36 |
| Voltage Reference | 18 | Ordering Guide | 36 |
| Clock Input Considerations | 19 | | |
| Power Dissipation and Power-Down Mode | 21 | | |

REVISION HISTORY

10/13—Revision 0: Initial Version

FUNCTIONAL BLOCK DIAGRAM

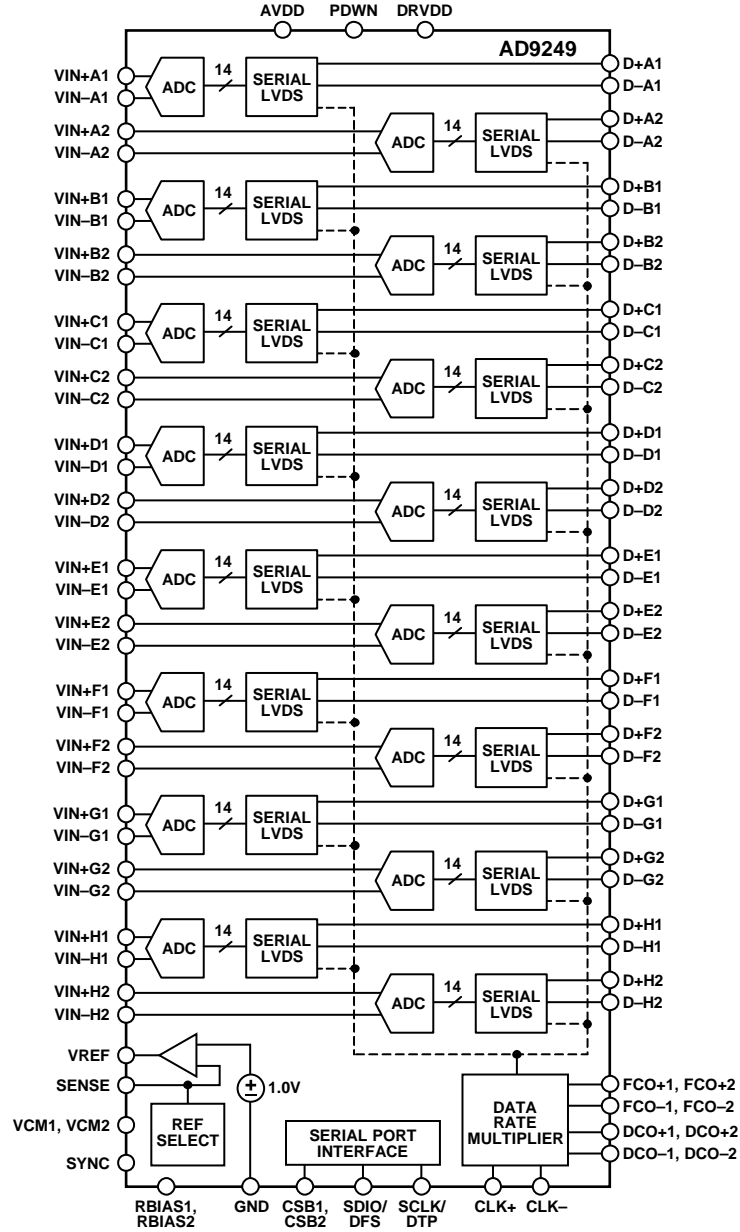


Figure 2.

115386-001

SPECIFICATIONS

DC SPECIFICATIONS

AVDD = 1.8 V, DRVDD = 1.8 V, 2 V p-p differential input, 1.0 V internal reference, A_{IN} = -1.0 dBFS, unless otherwise noted.

Table 1.

| Parameter ¹ | Temp | Min | Typ | Max | Unit |
|---|------|------|------------|------|---------|
| RESOLUTION | | 14 | | | Bits |
| ACCURACY | | | | | |
| No Missing Codes | Full | | Guaranteed | | |
| Offset Error | Full | 0 | 0.24 | 0.8 | % FSR |
| Offset Matching | Full | 0 | 0.24 | 0.7 | % FSR |
| Gain Error | Full | -7.2 | -3.5 | +0.2 | % FSR |
| Gain Matching | Full | 0 | 1.8 | 6.0 | % FSR |
| Differential Nonlinearity (DNL) | Full | -0.9 | ±0.6 | +1.6 | LSB |
| Integral Nonlinearity (INL) | Full | -3.0 | ±0.9 | +3.0 | LSB |
| TEMPERATURE DRIFT | | | | | |
| Offset Error | Full | | -1.8 | | ppm/°C |
| Gain Error | Full | | 3.6 | | ppm/°C |
| INTERNAL VOLTAGE REFERENCE | | | | | |
| Output Voltage (1 V Mode) | Full | 0.98 | 1.0 | 1.01 | V |
| Load Regulation at 1.0 mA (V _{REF} = 1 V) | 25°C | | 3 | | mV |
| Input Resistance | Full | | 7.5 | | kΩ |
| INPUT REFERRED NOISE | | | | | |
| V _{REF} = 1.0 V | 25°C | | 0.98 | | LSB rms |
| ANALOG INPUTS | | | | | |
| Differential Input Voltage (V _{REF} = 1 V) | Full | | 2 | | V p-p |
| Common-Mode Voltage | Full | | 0.9 | | V |
| Common-Mode Range | Full | 0.5 | | 1.3 | V |
| Differential Input Resistance | Full | | 5.2 | | kΩ |
| Differential Input Capacitance | Full | | 3.5 | | pF |
| POWER SUPPLY | | | | | |
| AVDD | Full | 1.7 | 1.8 | 1.9 | V |
| DRVDD | Full | 1.7 | 1.8 | 1.9 | V |
| I _{AVDD} | Full | | 395 | 429 | mA |
| I _{DRVDD} (ANSI-644 Mode) | Full | | 118 | 124 | mA |
| I _{DRVDD} (Reduced Range Mode) | 25°C | | 88 | | mA |
| TOTAL POWER CONSUMPTION | | | | | |
| Total Power Dissipation (16 Channels, ANSI-644 Mode) | Full | | 924 | 995 | mW |
| Total Power Dissipation (16 Channels, Reduced Range Mode) | 25°C | | 869 | | mW |
| Power-Down Dissipation | 25°C | | 2 | | mW |
| Standby Dissipation ² | 25°C | | 199 | | mW |

¹ See the [AN-835 Application Note](#), *Understanding High Speed ADC Testing and Evaluation*, for definitions and for information about how these tests were completed.

² Controlled via the SPI.

AC SPECIFICATIONS

AVDD = 1.8 V, DRVDD = 1.8 V, 2 V p-p differential input, 1.0 V internal reference, A_{IN} = -1.0 dBFS, unless otherwise noted.

Table 2.

| Parameter ¹ | Temp | Min | Typ | Max | Unit |
|---|------|------|------|-----|------|
| SIGNAL-TO-NOISE RATIO (SNR) | | | | | |
| f _{IN} = 9.7 MHz | 25°C | | 75.4 | | dBFS |
| f _{IN} = 19.7 MHz | Full | 74.4 | 75.3 | | dBFS |
| f _{IN} = 48 MHz | 25°C | | 74.7 | | dBFS |
| f _{IN} = 69.5 MHz | 25°C | | 74.4 | | dBFS |
| f _{IN} = 118 MHz | 25°C | | 72.8 | | dBFS |
| f _{IN} = 139.5 MHz | 25°C | | 72.2 | | dBFS |
| SIGNAL-TO-NOISE AND DISTORTION RATIO (SINAD) | | | | | |
| f _{IN} = 9.7 MHz | 25°C | | 75.4 | | dBFS |
| f _{IN} = 19.7 MHz | Full | 74.0 | 75.3 | | dBFS |
| f _{IN} = 48 MHz | 25°C | | 74.7 | | dBFS |
| f _{IN} = 69.5 MHz | 25°C | | 74.4 | | dBFS |
| f _{IN} = 118 MHz | 25°C | | 72.6 | | dBFS |
| f _{IN} = 139.5 MHz | 25°C | | 71.8 | | dBFS |
| EFFECTIVE NUMBER OF BITS (ENOB) | | | | | |
| f _{IN} = 9.7 MHz | 25°C | | 12.2 | | Bits |
| f _{IN} = 19.7 MHz | Full | 12.0 | 12.2 | | Bits |
| f _{IN} = 48 MHz | 25°C | | 12.1 | | Bits |
| f _{IN} = 69.5 MHz | 25°C | | 12.1 | | Bits |
| f _{IN} = 118 MHz | 25°C | | 11.8 | | Bits |
| f _{IN} = 139.5 MHz | 25°C | | 11.6 | | Bits |
| SPURIOUS-FREE DYNAMIC RANGE (SFDR) | | | | | |
| f _{IN} = 9.7 MHz | 25°C | | 95 | | dBc |
| f _{IN} = 19.7 MHz | Full | 85 | 93 | | dBc |
| f _{IN} = 48 MHz | 25°C | | 94 | | dBc |
| f _{IN} = 69.5 MHz | 25°C | | 92 | | dBc |
| f _{IN} = 118 MHz | 25°C | | 83 | | dBc |
| f _{IN} = 139.5 MHz | 25°C | | 82 | | dBc |
| WORST HARMONIC (SECOND OR THIRD) | | | | | |
| f _{IN} = 9.7 MHz | 25°C | | -98 | | dBc |
| f _{IN} = 19.7 MHz | Full | | -93 | -85 | dBc |
| f _{IN} = 48 MHz | 25°C | | -94 | | dBc |
| f _{IN} = 69.5 MHz | 25°C | | -92 | | dBc |
| f _{IN} = 118 MHz | 25°C | | -83 | | dBc |
| f _{IN} = 139.5 MHz | 25°C | | -82 | | dBc |
| WORST OTHER (EXCLUDING SECOND OR THIRD) | | | | | |
| f _{IN} = 9.7 MHz | 25°C | | -95 | | dBc |
| f _{IN} = 19.7 MHz | Full | | -96 | -86 | dBc |
| f _{IN} = 48 MHz | 25°C | | -94 | | dBc |
| f _{IN} = 69.5 MHz | 25°C | | -92 | | dBc |
| f _{IN} = 118 MHz | 25°C | | -90 | | dBc |
| f _{IN} = 139.5 MHz | 25°C | | -90 | | dBc |
| TWO-TONE INTERMODULATION DISTORTION (IMD)—A _{IN1} AND A _{IN2} = -7.0 dBFS | | | | | |
| f _{IN1} = 30.1 MHz, f _{IN2} = 32.1 MHz | 25°C | | 92 | | dBc |
| CROSSTALK, WORST ADJACENT CHANNEL ² | | | | | |
| Crosstalk, Worst Adjacent Channel Overrange Condition ³ | 25°C | | -90 | | dB |
| | 25°C | | -85 | | dB |
| ANALOG INPUT BANDWIDTH, FULL POWER | | | | | |
| | 25°C | | 650 | | MHz |

¹ See the [AN-835 Application Note](#), *Understanding High Speed ADC Testing and Evaluation*, for definitions and for details on how these tests were completed.

² Crosstalk is measured at 10 MHz, with -1.0 dBFS analog input on one channel and no input on the adjacent channel.

³ Overrange condition is defined as 3 dB above input full scale.

DIGITAL SPECIFICATIONS

AVDD = 1.8 V, DRVDD = 1.8 V, 2 V p-p differential input, 1.0 V internal reference, $A_{IN} = -1.0$ dBFS, unless otherwise noted.

Table 3.

| Parameter ¹ | Temp | Min | Typ | Max | Unit |
|---|------|-----------|------------------|------------|-------|
| CLOCK INPUTS (CLK+, CLK-) | | | | | |
| Logic Compliance | | | CMOS/LVDS/LVPECL | | |
| Differential Input Voltage ² | Full | 0.2 | | 3.6 | V p-p |
| Input Voltage Range | Full | GND – 0.2 | | AVDD + 0.2 | V |
| Input Common-Mode Voltage | Full | | 0.9 | | V |
| Input Resistance (Differential) | 25°C | | 15 | | kΩ |
| Input Capacitance | 25°C | | 4 | | pF |
| LOGIC INPUTS (PDWN, SYNC, SCLK) | | | | | |
| Logic 1 Voltage | Full | 1.2 | | AVDD + 0.2 | V |
| Logic 0 Voltage | Full | 0 | | 0.8 | V |
| Input Resistance | 25°C | | 30 | | kΩ |
| Input Capacitance | 25°C | | 2 | | pF |
| LOGIC INPUTS (CSB1, CSB2) | | | | | |
| Logic 1 Voltage | Full | 1.2 | | AVDD + 0.2 | V |
| Logic 0 Voltage | Full | 0 | | 0.8 | V |
| Input Resistance | 25°C | | 26 | | kΩ |
| Input Capacitance | 25°C | | 2 | | pF |
| LOGIC INPUT (SDIO) | | | | | |
| Logic 1 Voltage | Full | 1.2 | | AVDD + 0.2 | V |
| Logic 0 Voltage | Full | 0 | | 0.8 | V |
| Input Resistance | 25°C | | 26 | | kΩ |
| Input Capacitance | 25°C | | 5 | | pF |
| LOGIC OUTPUT (SDIO) ³ | | | | | |
| Logic 1 Voltage ($I_{OH} = 800 \mu A$) | Full | | 1.79 | | V |
| Logic 0 Voltage ($I_{OL} = 50 \mu A$) | Full | | | 0.05 | V |
| DIGITAL OUTPUTS ($D_{\pm x1}$, $D_{\pm x2}$), ANSI-644 | | | | | |
| Logic Compliance | | | LVDS | | |
| Differential Output Voltage (V_{OD}) | Full | 281 | 350 | 422 | mV |
| Output Offset Voltage (V_{OS}) | Full | 1.12 | 1.22 | 1.38 | V |
| Output Coding (Default) | | | Twos complement | | |
| DIGITAL OUTPUTS ($D_{\pm x1}$, $D_{\pm x2}$), LOW POWER, REDUCED SIGNAL OPTION | | | | | |
| Logic Compliance | | | LVDS | | |
| Differential Output Voltage (V_{OD}) | Full | 150 | 201 | 250 | mV |
| Output Offset Voltage (V_{OS}) | Full | 1.12 | 1.22 | 1.38 | V |
| Output Coding (Default) | | | Twos complement | | |

¹ See the [AN-835 Application Note, Understanding High Speed ADC Testing and Evaluation](#), for definitions and for details on how these tests were completed.

² Specified for LVDS and LVPECL only.

³ Specified for 13 SDIO/DFS pins sharing the same connection.

SWITCHING SPECIFICATIONS

AVDD = 1.8 V, DRVDD = 1.8 V, 2 V p-p differential input, 1.0 V internal reference, A_{IN} = -1.0 dBFS, unless otherwise noted.

Table 4.

| Parameter ^{1,2} | Symbol | Temp | Min | Typ | Max | Unit |
|---|---|------|---------------------------------|--|---------------------------------|--------------|
| CLOCK³ | | | | | | |
| Input Clock Rate | | Full | 10 | | 520 | MHz |
| Conversion Rate | | Full | 10 | | 65 | MSPS |
| Clock Pulse Width High | t _{EH} | Full | | 7.69 | | ns |
| Clock Pulse Width Low | t _{EL} | Full | | 7.69 | | ns |
| OUTPUT PARAMETERS³ | | | | | | |
| Propagation Delay | t _{PD} | Full | 1.5 | 2.3 | 3.1 | ns |
| Rise Time (20% to 80%) | t _R | Full | | 300 | | ps |
| Fall Time (20% to 80%) | t _F | Full | | 300 | | ps |
| FCO±1, FCO±2 Propagation Delay | t _{FCO} | Full | 1.5 | 2.3 | 3.1 | ns |
| DCO±1, DCO±2 Propagation Delay ⁴ | t _{CPD} | Full | | t _{FCO} + (t _{SAMPLE} /28) | | ns |
| DCO±1, DCO±2 to Data Delay ⁴ | t _{DATA} | Full | (t _{SAMPLE} /28) - 300 | (t _{SAMPLE} /28) | (t _{SAMPLE} /28) + 300 | ps |
| DCO±1, DCO±2 to FCO±1, FCO±2 Delay ⁴ | t _{FRAME} | Full | (t _{SAMPLE} /28) - 300 | (t _{SAMPLE} /28) | (t _{SAMPLE} /28) + 300 | ps |
| Data to Data Skew | t _{DATA-MAX} - t _{DATA-MIN} | Full | | ±50 | ±200 | ps |
| Wake-Up Time (Standby) | | 25°C | | 35 | | µs |
| Wake-Up Time (Power-Down) ⁵ | | 25°C | | 375 | | µs |
| Pipeline Latency | | Full | | 16 | | Clock cycles |
| APERTURE | | | | | | |
| Aperture Delay | t _A | 25°C | | 1 | | ns |
| Aperture Uncertainty (Jitter) | t _J | 25°C | | 135 | | fs rms |
| Out-of-Range Recovery Time | | 25°C | | 1 | | Clock cycles |

¹ See the [AN-835 Application Note, Understanding High Speed ADC Testing and Evaluation](#), for definitions and for details on how these tests were completed.

² Measured on standard FR-4 material.

³ Adjustable using the SPI.

⁴ t_{SAMPLE}/28 is based on the number of bits, divided by 2, because the delays are based on half duty cycles. t_{SAMPLE} = 1/f_{SAMPLE}.

⁵ Wake-up time is defined as the time required to return to normal operation from power-down mode.

Timing Diagrams

Refer to the Memory Map Register Descriptions section for SPI register setting of output mode.

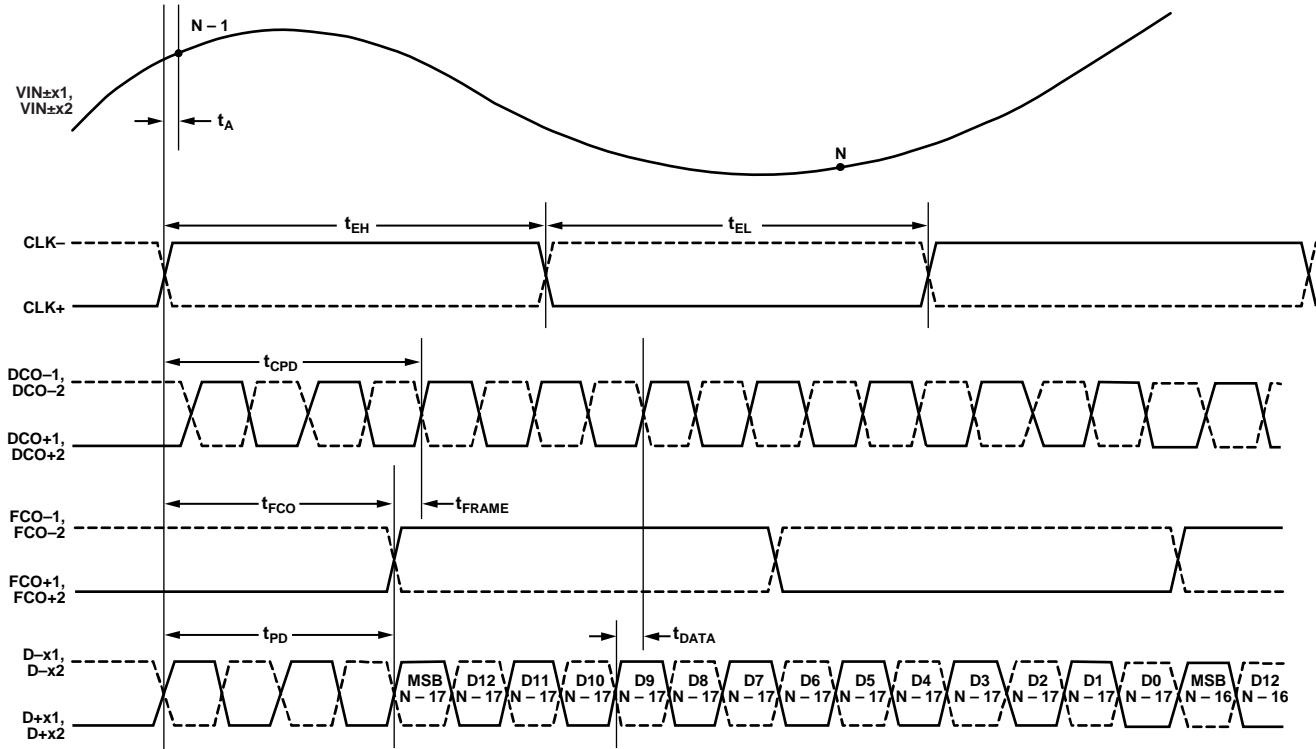


Figure 3. Wordwise DDR, 1x Frame, 14-Bit Output Mode (Default)

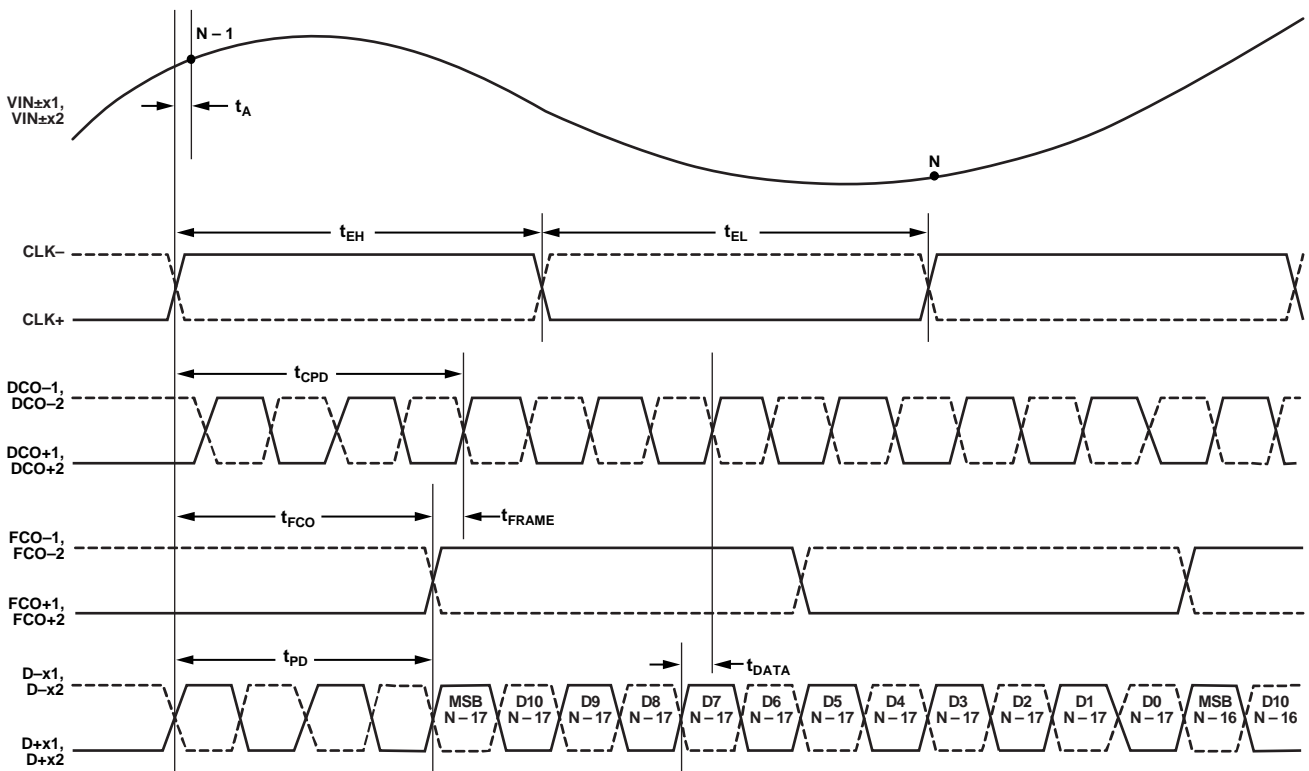


Figure 4. Wordwise DDR, 1x Frame, 12-Bit Output Mode

TIMING SPECIFICATIONS

Table 5.

| Parameter | Description | Limit | Unit |
|---------------------------------|--|-------|--------|
| SYNC TIMING REQUIREMENTS | | | |
| t_{SSYNC} | SYNC to rising edge of CLK+ setup time | 0.24 | ns typ |
| t_{HSYNC} | SYNC to rising edge of CLK+ hold time | 0.40 | ns typ |
| SPI TIMING REQUIREMENTS | | | |
| | See Figure 50 | | |
| t_{DS} | Setup time between the data and the rising edge of SCLK | 2 | ns min |
| t_{DH} | Hold time between the data and the rising edge of SCLK | 2 | ns min |
| t_{CLK} | Period of the SCLK | 40 | ns min |
| t_s | Setup time between CSB1/CSB2 and SCLK | 2 | ns min |
| t_h | Hold time between CSB1/CSB2 and SCLK | 2 | ns min |
| t_{HIGH} | SCLK pulse width high | 10 | ns min |
| t_{LOW} | SCLK pulse width low | 10 | ns min |
| t_{EN_SDIO} | Time required for the SDIO pin to switch from an input to an output relative to the SCLK falling edge (not shown in Figure 50) | 10 | ns min |
| t_{DIS_SDIO} | Time required for the SDIO pin to switch from an output to an input relative to the SCLK rising edge (not shown in Figure 50) | 10 | ns min |

SYNC Timing Diagram

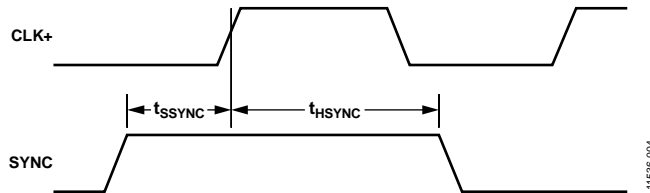


Figure 5. SYNC Input Timing Requirements

1155E-004

ABSOLUTE MAXIMUM RATINGS

Table 6.

| Parameter | Rating |
|---|------------------|
| Electrical | |
| AVDD to GND | −0.3 V to +2.0 V |
| DRVDD to GND | −0.3 V to +2.0 V |
| Digital Outputs (D±x1, D±x2, DCO±1, DCO±2, FCO±1, FCO±2) to GND | −0.3 V to +2.0 V |
| CLK+, CLK− to GND | −0.3 V to +2.0 V |
| VIN±x1, VIN±x2 to GND | −0.3 V to +2.0 V |
| SCLK/DTP, SDIO/DFS, CSB1, CSB2 to GND | −0.3 V to +2.0 V |
| SYNC, PDWN to GND | −0.3 V to +2.0 V |
| RBIAS1, RBIAS2 to GND | −0.3 V to +2.0 V |
| VREF, VCM1, VCM2, SENSE to GND | −0.3 V to +2.0 V |
| Environmental | |
| Operating Temperature Range (Ambient) | −40°C to +85°C |
| Maximum Junction Temperature | 150°C |
| Lead Temperature (Soldering, 10 sec) | 300°C |
| Storage Temperature Range (Ambient) | −65°C to +150°C |

Stresses above those listed under Absolute Maximum Ratings may cause permanent damage to the device. This is a stress rating only; functional operation of the device at these or any other conditions above those indicated in the operational section of this specification is not implied. Exposure to absolute maximum rating conditions for extended periods may affect device reliability.

THERMAL CHARACTERISTICS

Typical θ_{JA} is specified for a 4-layer PCB with a solid ground plane. Airflow improves heat dissipation, which reduces θ_{JA} . In addition, metal in direct contact with the package leads from metal traces, through holes, ground, and power planes reduces θ_{JA} .

Table 7. Thermal Resistance (Simulated)

| Package Type | Airflow Velocity (m/sec) | $\theta_{JA}^{1,2}$ | $\Psi_{JT}^{1,2}$ | Unit |
|---------------------------------------|--------------------------|---------------------|-------------------|------|
| 144-Ball, 10 mm × 10 mm CSP-BGA | 0 | 30.2 | 0.13 | °C/W |

¹ Per JEDEC 51-7, plus JEDEC 51-5 2S2P test board.

² Per JEDEC JESD51-2 (still air) or JEDEC JESD51-6 (moving air).

ESD CAUTION



ESD (electrostatic discharge) sensitive device.

Charged devices and circuit boards can discharge without detection. Although this product features patented or proprietary protection circuitry, damage may occur on devices subjected to high energy ESD. Therefore, proper ESD precautions should be taken to avoid performance degradation or loss of functionality.

PIN CONFIGURATION AND FUNCTION DESCRIPTIONS

AD9249
TOP VIEW
(Not to Scale)

| | 1 | 2 | 3 | 4 | 5 | 6 | 7 | 8 | 9 | 10 | 11 | 12 |
|----------|--------|--------|--------|--------|--------|--------|--------|--------|--------|--------|----------|----------|
| A | VIN-G2 | VIN+G2 | VIN-G1 | VIN-F2 | VIN-F1 | VIN-E2 | VIN-E1 | VIN-D2 | VIN-D1 | VIN-C2 | VIN+C1 | VIN-C1 |
| B | VIN-H1 | VIN+H1 | VIN+G1 | VIN+F2 | VIN+F1 | VIN+E2 | VIN+E1 | VIN+D2 | VIN+D1 | VIN+C2 | VIN+B2 | VIN-B2 |
| C | VIN-H2 | VIN+H2 | SYNC | VCM1 | VCM2 | VREF | SENSE | RBIAS1 | RBIAS2 | GND | VIN+B1 | VIN-B1 |
| D | GND | GND | GND | AVDD | AVDD | AVDD | AVDD | AVDD | AVDD | GND | VIN+A2 | VIN-A2 |
| E | CLK- | CLK+ | GND | AVDD | GND | GND | GND | GND | AVDD | CSB1 | VIN+A1 | VIN-A1 |
| F | GND | GND | GND | AVDD | GND | GND | GND | GND | AVDD | CSB2 | SDIO/DFS | SCLK/DTP |
| G | D-H2 | D+H2 | GND | AVDD | GND | GND | GND | GND | AVDD | PDWN | D+A1 | D-A1 |
| H | D-H1 | D+H1 | GND | AVDD | GND | GND | GND | GND | AVDD | GND | D+A2 | D-A2 |
| J | D-G2 | D+G2 | GND | AVDD | AVDD | AVDD | AVDD | AVDD | AVDD | GND | D+B1 | D-B1 |
| K | D-G1 | D+G1 | DRVDD | DRVDD | GND | GND | GND | GND | DRVDD | DRVDD | D+B2 | D-B2 |
| L | D-F2 | D+F2 | D+E2 | D+E1 | FCO+1 | DCO+1 | DCO+2 | FCO+2 | D+D2 | D+D1 | D+C1 | D-C1 |
| M | D-F1 | D+F1 | D-E2 | D-E1 | FCO-1 | DCO-1 | DCO-2 | FCO-2 | D-D2 | D-D1 | D+C2 | D-C2 |

Figure 6. Pin Configuration

Table 8. Pin Function Descriptions

| Pin No. | Mnemonic | Description |
|--|------------|---|
| C10, D1 to D3, D10, E3, E5 to E8, F1 to F3, F5 to F8, G3, G5 to G8, H3, H5 to H8, H10, J3, J10, K5 to K8 | GND | Ground. |
| D4 to D9, E4, E9, F4, F9, G4, G9, H4, H9, J4 to J9 | AVDD | 1.8 V Analog Supply. |
| K3, K4, K9, K10 | DRVDD | 1.8 V Digital Output Driver Supply. |
| E1, E2 | CLK-, CLK+ | Input Clock Complement, Input Clock True. |
| G12, G11 | D-A1, D+A1 | Bank 1 Digital Output Complement, Bank 1 Digital Output True. |
| H12, H11 | D-A2, D+A2 | Bank 2 Digital Output Complement, Bank 2 Digital Output True. |
| J12, J11 | D-B1, D+B1 | Bank 1 Digital Output Complement, Bank 1 Digital Output True. |
| K12, K11 | D-B2, D+B2 | Bank 2 Digital Output Complement, Bank 2 Digital Output True. |
| L12, L11 | D-C1, D+C1 | Bank 1 Digital Output Complement, Bank 1 Digital Output True. |

| Pin No. | Mnemonic | Description |
|-------------------|-------------------------------|---|
| M12, M11 | D-C2, D+C2 | Bank 2 Digital Output Complement, Bank 2 Digital Output True. |
| M10, L10 | D-D1, D+D1 | Bank 1 Digital Output Complement, Bank 1 Digital Output True. |
| M9, L9 | D-D2, D+D2 | Bank 2 Digital Output Complement, Bank 2 Digital Output True. |
| M4, L4 | D-E1, D+E1 | Bank 1 Digital Output Complement, Bank 1 Digital Output True. |
| M3, L3 | D-E2, D+E2 | Bank 2 Digital Output Complement, Bank 2 Digital Output True. |
| M1, M2 | D-F1, D+F1 | Bank 1 Digital Output Complement, Bank 1 Digital Output True. |
| L1, L2 | D-F2, D+F2 | Bank 2 Digital Output Complement, Bank 2 Digital Output True. |
| K1, K2 | D-G1, D+G1 | Bank 1 Digital Output Complement, Bank 1 Digital Output True. |
| J1, J2 | D-G2, D+G2 | Bank 2 Digital Output Complement, Bank 2 Digital Output True. |
| H1, H2 | D-H1, D+H1 | Bank 1 Digital Output Complement, Bank 1 Digital Output True. |
| G1, G2 | D-H2, D+H2 | Bank 2 Digital Output Complement, Bank 2 Digital Output True. |
| M6, L6, M7, L7 | DCO-1, DCO+1, DCO-2, DCO+2 | Data Clock Digital Output Complement, Data Clock Digital Output True. DCO±1 is used to capture D±x1 digital output data; DCO±2 is used to capture D±x2 digital output data. |
| M5, L5, M8, L8 | FCO-1, FCO+1, FCO-2, FCO+2 | Frame Clock Digital Output Complement, Frame Clock Digital Output True. FCO±1 frames D±x1 digital output data; FCO±2 frames D±x2 digital output data. |
| F12 | SCLK/DTP | Serial Clock (SCLK)/Digital Test Pattern (DTP). |
| F11 | SDIO/DFS | Serial Data Input/Output (SDIO)/Data Format Select (DFS). |
| E10, F10 | CSB1, CSB2 | Chip Select Bar. CSB1 enables/disables SPI for eight channels in Bank 1; CSB2 enables/disables SPI for eight channels in Bank 2. |
| G10 | PDWN | Power-Down. |
| E12, E11 | VIN-A1, VIN+A1 | Analog Input Complement, Analog Input True. |
| D12, D11 | VIN-A2, VIN+A2 | Analog Input Complement, Analog Input True. |
| C12, C11 | VIN-B1, VIN+B1 | Analog Input Complement, Analog Input True. |
| B12, B11 | VIN-B2, VIN+B2 | Analog Input Complement, Analog Input True. |
| A12, A11 | VIN-C1, VIN+C1 | Analog Input Complement, Analog Input True. |
| A10, B10 | VIN-C2, VIN+C2 | Analog Input Complement, Analog Input True. |
| A9, B9 | VIN-D1, VIN+D1 | Analog Input Complement, Analog Input True. |
| A8, B8 | VIN-D2, VIN+D2 | Analog Input Complement, Analog Input True. |
| A7, B7 | VIN-E1, VIN+E1 | Analog Input Complement, Analog Input True. |
| A6, B6 | VIN-E2, VIN+E2 | Analog Input Complement, Analog Input True. |
| A5, B5 | VIN-F1, VIN+F1 | Analog Input Complement, Analog Input True. |
| A4, B4 | VIN-F2, VIN+F2 | Analog Input Complement, Analog Input True. |
| A3, B3 | VIN-G1, VIN+G1 | Analog Input Complement, Analog Input True. |
| A1, A2 | VIN-G2, VIN+G2 | Analog Input Complement, Analog Input True. |
| B1, B2 | VIN-H1, VIN+H1 | Analog Input Complement, Analog Input True. |
| C1, C2 | VIN-H2, VIN+H2 | Analog Input Complement, Analog Input True. |
| C8, C9 | RBIAS1, RBIAS2 | Sets analog current bias. Connect each RBIASx pin to a 10 kΩ (1% tolerance) resistor to ground. |
| C7 | SENSE | Reference Mode Selection. |
| C6 | VREF | Voltage Reference Input/Output. |
| C4, C5 | VCM1, VCM2 | Analog Output Voltage at Midsupply. Sets the common mode of the analog inputs, external to the ADC, as shown in Figure 35 and Figure 36. |
| C3 | SYNC | Digital Input; Synchronizing Input to Clock Divider. This pin is internally pulled to ground by a 30 kΩ resistor. |

TYPICAL PERFORMANCE CHARACTERISTICS

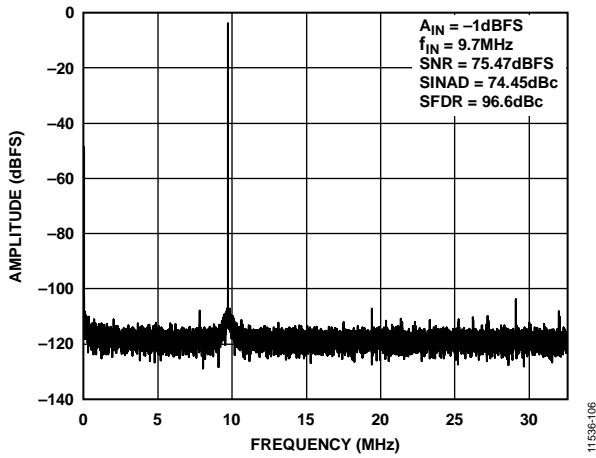


Figure 7. Single-Tone 32k FFT with $f_{IN} = 9.7\text{ MHz}$, $f_{SAMPLE} = 65\text{ MSPS}$

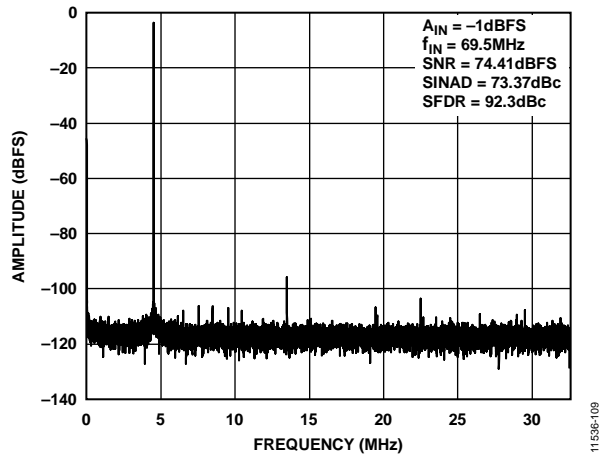


Figure 10. Single-Tone 32k FFT with $f_{IN} = 69.5\text{ MHz}$, $f_{SAMPLE} = 65\text{ MSPS}$

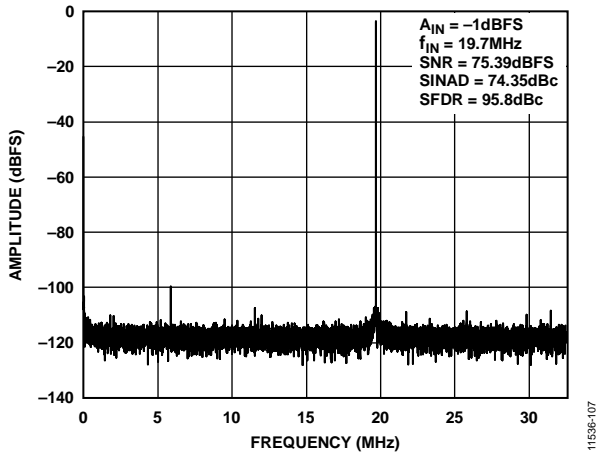


Figure 8. Single-Tone 32k FFT with $f_{IN} = 19.7\text{ MHz}$, $f_{SAMPLE} = 65\text{ MSPS}$

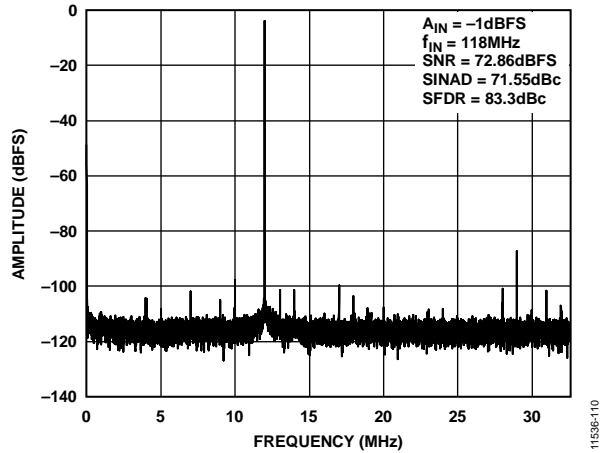


Figure 11. Single-Tone 32k FFT with $f_{IN} = 118\text{ MHz}$, $f_{SAMPLE} = 65\text{ MSPS}$

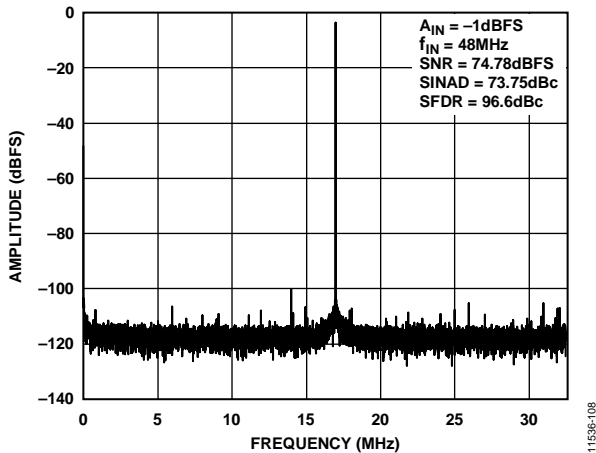


Figure 9. Single-Tone 32k FFT with $f_{IN} = 48\text{ MHz}$, $f_{SAMPLE} = 65\text{ MSPS}$

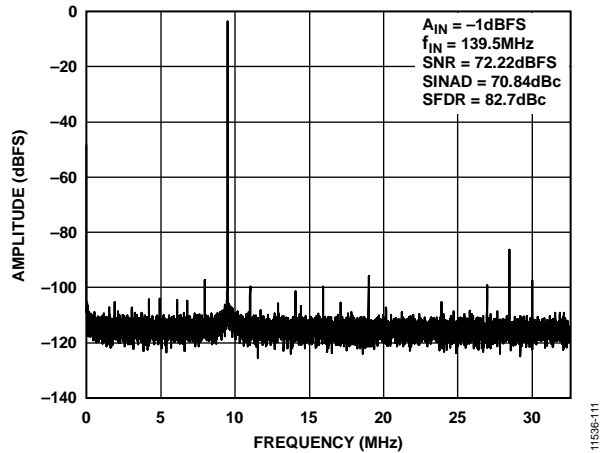


Figure 12. Single-Tone 32k FFT with $f_{IN} = 139.5\text{ MHz}$, $f_{SAMPLE} = 65\text{ MSPS}$

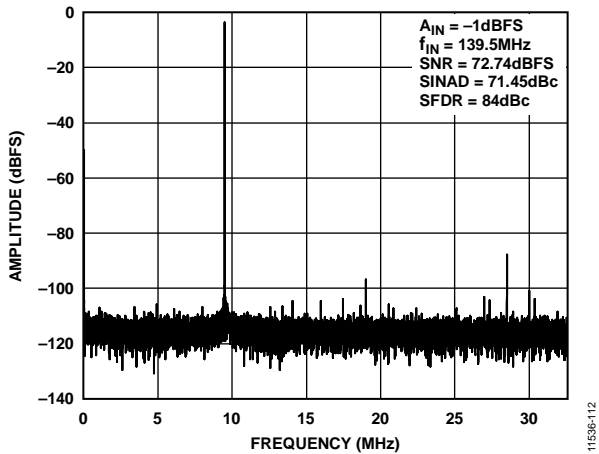


Figure 13. Single-Tone 32k FFT with $f_{IN} = 139.5$ MHz, $f_{SAMPLE} = 65$ MSPS, Clock Divider = 4

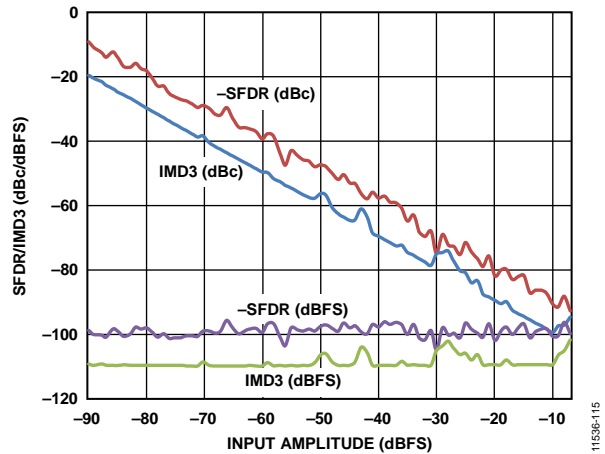


Figure 16. Two-Tone SFDR/IMD3 vs. Input Amplitude; $f_{IN1} = 30.1$ MHz, $f_{IN2} = 32.1$ MHz, $f_{SAMPLE} = 65$ MSPS

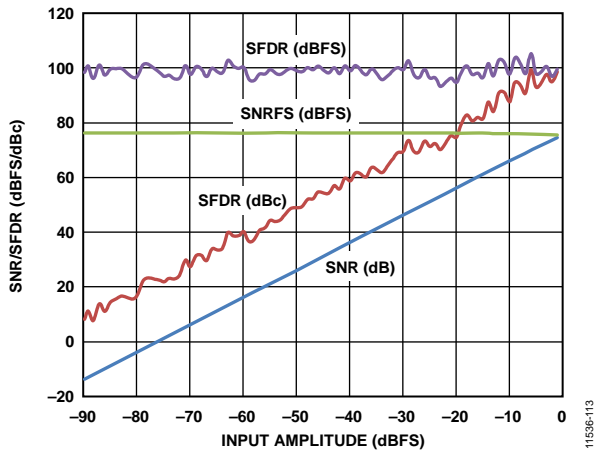


Figure 14. SNR/SFDR vs. Input Amplitude; $f_{IN} = 9.7$ MHz, $f_{SAMPLE} = 65$ MSPS

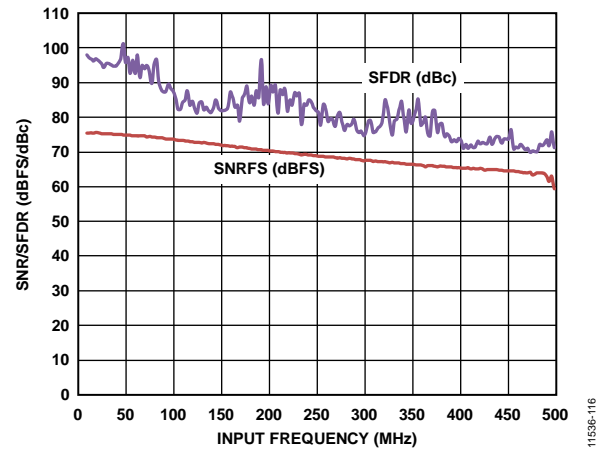


Figure 17. SNR/SFDR vs. f_{IN} ; $f_{SAMPLE} = 65$ MSPS

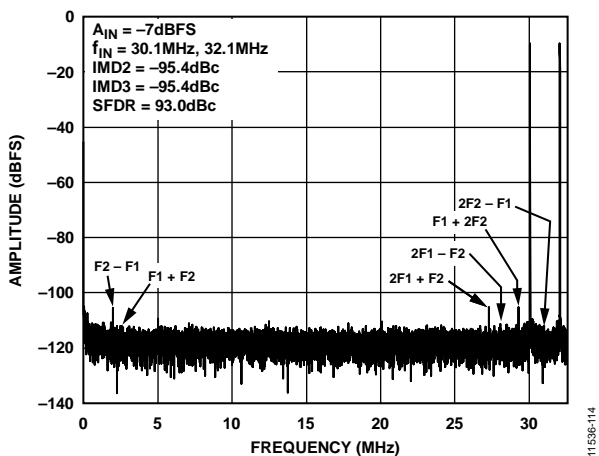


Figure 15. Two Tone FFT, $f_{IN} = 30.1$ MHz and 32.1 MHz, $f_{SAMPLE} = 65$ MSPS

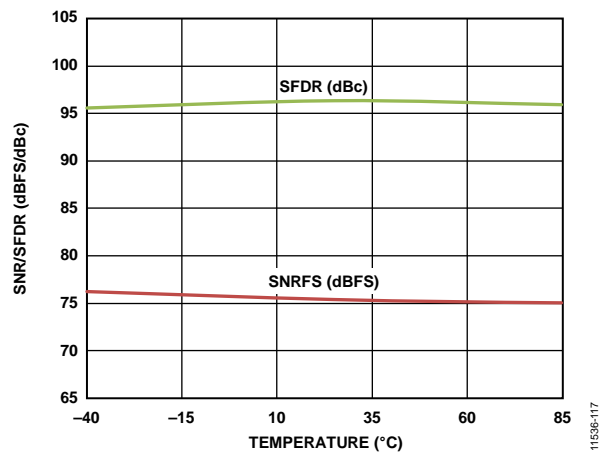


Figure 18. SNR/SFDR vs. Temperature; $f_{IN} = 9.7$ MHz, $f_{SAMPLE} = 65$ MSPS

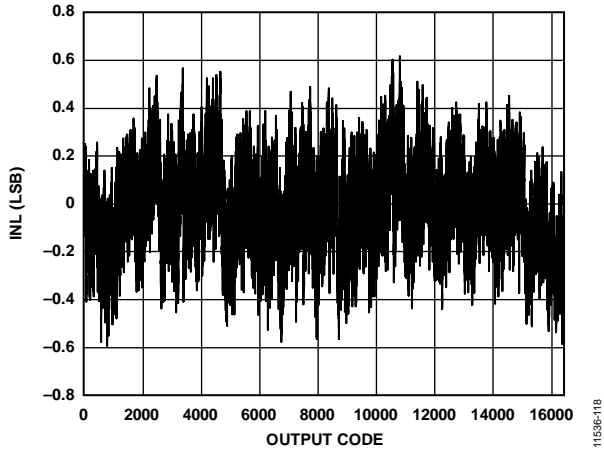


Figure 19. INL; $f_{IN} = 9.7 \text{ MHz}$, $f_{SAMPLE} = 65 \text{ MSPS}$

11536-118

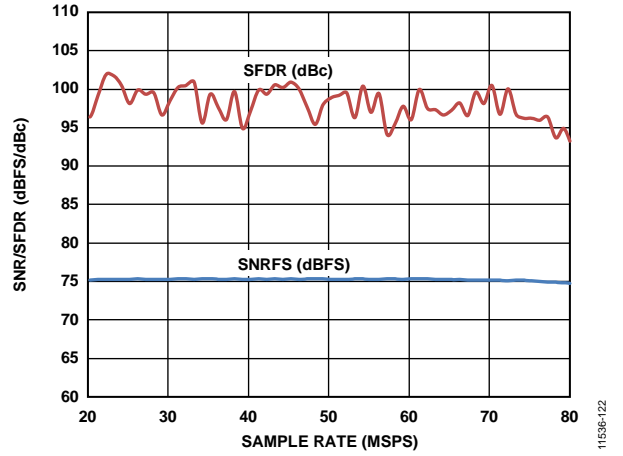


Figure 22. SNR/SFDR vs. Sample Rate; $f_{IN} = 9.7 \text{ MHz}$, $f_{SAMPLE} = 65 \text{ MSPS}$

11536-122

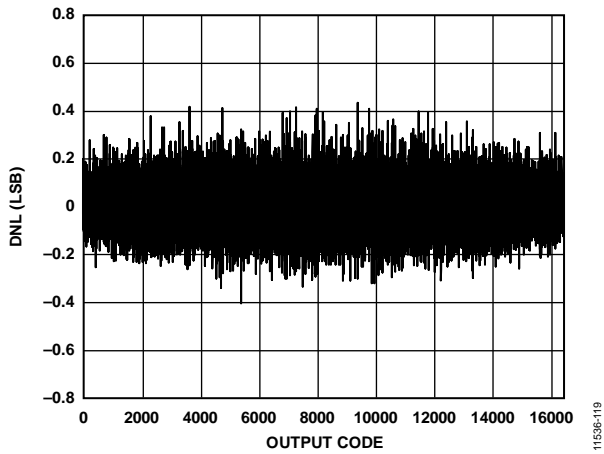


Figure 20. DNL; $f_{IN} = 9.7 \text{ MHz}$, $f_{SAMPLE} = 65 \text{ MSPS}$

11536-119

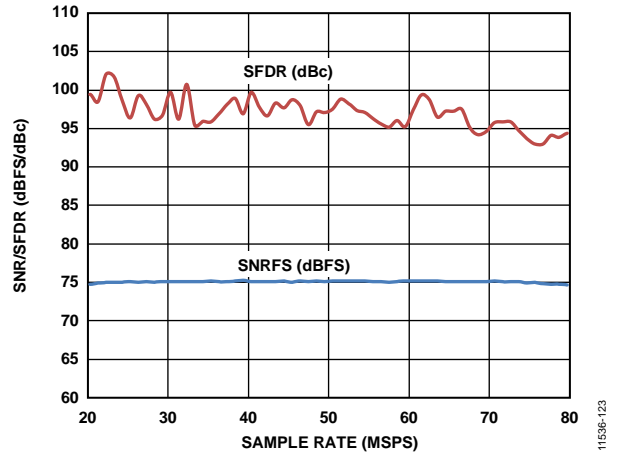


Figure 23. SNR/SFDR vs. Sample Rate; $f_{IN} = 19.7 \text{ MHz}$, $f_{SAMPLE} = 65 \text{ MSPS}$

11536-123

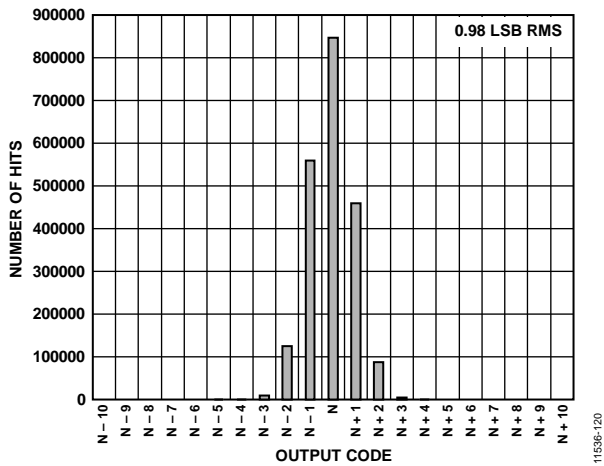


Figure 21. Input Referred Noise Histogram; $f_{SAMPLE} = 65 \text{ MSPS}$

11536-120

EQUIVALENT CIRCUITS

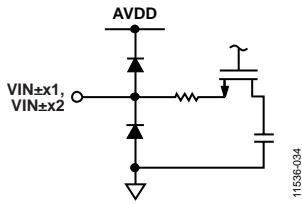


Figure 24. Equivalent Analog Input Circuit

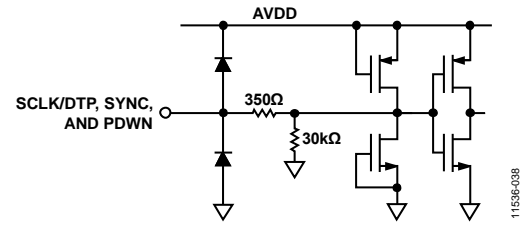


Figure 28. Equivalent SCLK/DTP, SYNC, and PDWN Input Circuit

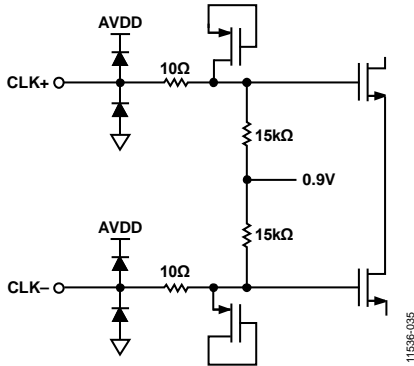


Figure 25. Equivalent Clock Input Circuit

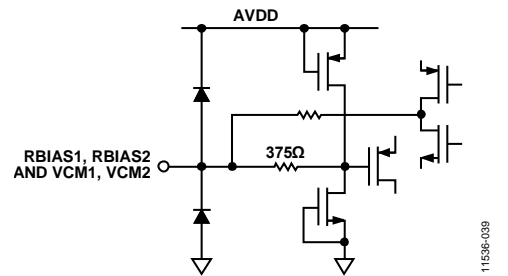


Figure 29. Equivalent RBIASx and VCMx Circuit

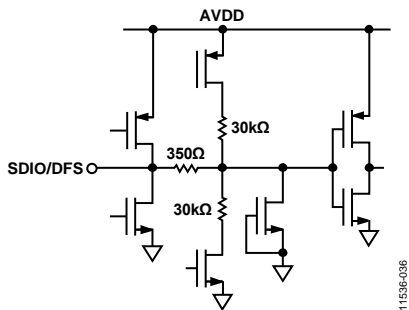


Figure 26. Equivalent SDIO/DFS Input Circuit

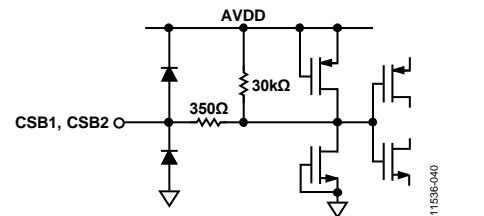


Figure 30. Equivalent CSBx Input Circuit

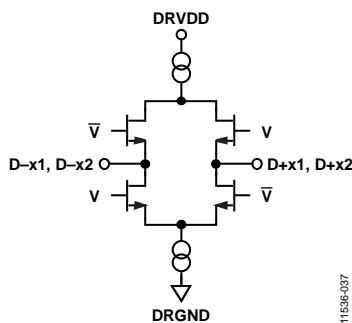


Figure 27. Equivalent Digital Output Circuit

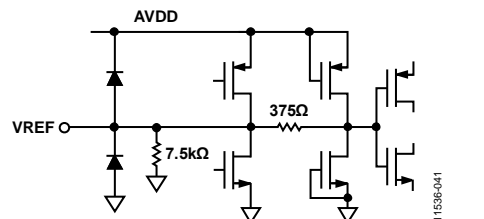


Figure 31. Equivalent VREF Circuit

THEORY OF OPERATION

The AD9249 is a multistage, pipelined ADC. Each stage provides sufficient overlap to correct for flash errors in the preceding stage. The quantized outputs from each stage are combined into a final 14-bit result in the digital correction logic. The serializer transmits this converted data in a 14-bit output. The pipelined architecture permits the first stage to operate with a new input sample while the remaining stages operate with preceding samples. Sampling occurs on the rising edge of the clock.

Each stage of the pipeline, excluding the last, consists of a low resolution flash ADC connected to a switched capacitor DAC and an interstage residue amplifier (for example, a multiplying digital-to-analog converter (MDAC)). The residue amplifier magnifies the difference between the reconstructed DAC output and the flash input for the next stage in the pipeline. One bit of redundancy is used in each stage to facilitate digital correction of flash errors. The last stage simply consists of a flash ADC.

The output staging block aligns the data, corrects errors, and passes the data to the output buffers. The data is then serialized and aligned to the frame and data clocks.

ANALOG INPUT CONSIDERATIONS

The analog input to the AD9249 is a differential switched capacitor circuit designed for processing differential input signals. This circuit can support a wide common-mode range while maintaining excellent performance. By using an input common-mode voltage of midsupply, users can minimize signal dependent errors and achieve optimum performance.

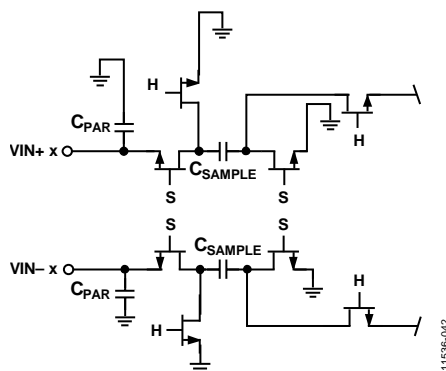


Figure 32. Switched Capacitor Input Circuit

The clock signal alternately switches the input circuit between sample mode and hold mode (see Figure 32). When the input circuit is switched to sample mode, the signal source must be capable of charging the sample capacitors and settling within one-half of a clock cycle. A small resistor, in series with each input, can help reduce the peak transient current injected from

the output stage of the driving source. In addition, low Q inductors or ferrite beads can be placed on each leg of the input to reduce high differential capacitance at the analog inputs and, therefore, achieve the maximum bandwidth of the ADC. Such use of low Q inductors or ferrite beads is required when driving the converter front end at high IF frequencies. Place either a differential capacitor or two single-ended capacitors on the inputs to provide a matching passive network. This configuration ultimately creates a low-pass filter at the input to limit unwanted broadband noise. See the [AN-742 Application Note, Frequency Domain Response of Switched-Capacitor ADCs](#); the [AN-827 Application Note, A Resonant Approach to Interfacing Amplifiers to Switched-Capacitor ADCs](#); and the *Analog Dialogue* article “[Transformer-Coupled Front-End for Wideband A/D Converters](#)” (Volume 39, April 2005) for more information. In general, the precise values vary, depending on the application.

Input Common Mode

The analog inputs of the AD9249 are not internally dc biased. Therefore, in ac-coupled applications, the user must provide this bias externally. For optimum performance, set the device so that $V_{CM} = AV_{DD}/2$. However, the device can function over a wider range with reasonable performance, as shown in Figure 33.

An on-chip, common-mode voltage reference is included in the design and is available at the VCMx pin. Decouple the VCMx pin to ground using a 0.1 μF capacitor, as described in the Applications Information section.

Maximum SNR performance is achieved by setting the ADC to the largest span in a differential configuration. In the case of the AD9249, the largest available input span is 2 V p-p.

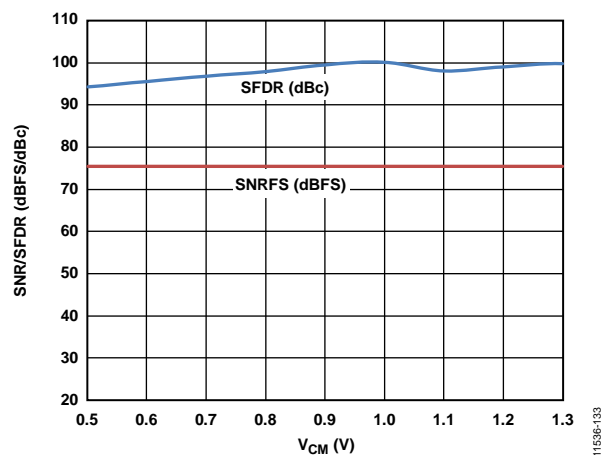


Figure 33. SNR/SFDR vs. Common-Mode Voltage, $f_{IN} = 9.7 \text{ MHz}$, $f_{SAMPLE} = 65 \text{ MSPS}$

Differential Input Configurations

There are several ways to drive the AD9249, either actively or passively. However, optimum performance is achieved by driving the analog inputs differentially. Using a differential double balun configuration to drive the AD9249 provides excellent performance and a flexible interface to the ADC (see Figure 35) for baseband applications. Similarly, differential transformer coupling also provides excellent performance (see Figure 36).

Because the noise performance of most amplifiers is not adequate to achieve the true performance of the AD9249, use of these passive configurations is recommended wherever possible.

Regardless of the configuration, the value of the shunt capacitor, C, is dependent on the input frequency and may need to be reduced or removed.

It is recommended that the AD9249 inputs not be driven single-ended.

VOLTAGE REFERENCE

A stable and accurate 1.0 V voltage reference is built into the AD9249. Configure VREF using either the internal 1.0 V reference or an externally applied 1.0 V reference voltage. The various reference modes are summarized in the Internal Reference Connection section and the External Reference Operation section. Bypass the VREF pin to ground externally, using a low ESR, 1.0 μF capacitor in parallel with a low ESR, 0.1 μF ceramic capacitor.

Internal Reference Connection

A comparator within the AD9249 detects the potential at the SENSE pin and configures the reference into two possible modes, which are summarized in Table 9. If SENSE is grounded, the reference amplifier switch is connected to the internal resistor divider (see Figure 34), setting VREF to 1.0 V.

Table 9. Reference Configuration Summary

| Selected Mode | SENSE Voltage (V) | Resulting V _{REF} (V) | Resulting Differential Span (V p-p) |
|--------------------------|-------------------|----------------------------------|-------------------------------------|
| Fixed Internal Reference | GND to 0.2 | 1.0 internal | 2.0 |
| Fixed External Reference | AVDD | 1.0 applied to external VREF pin | 2.0 |

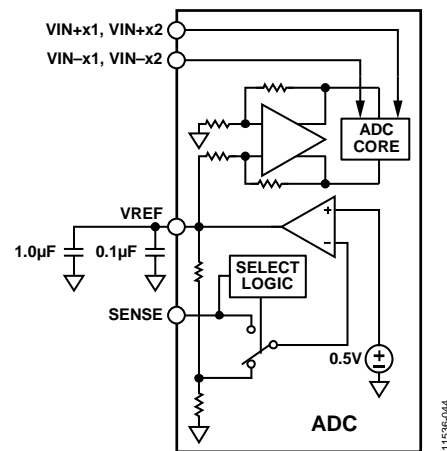


Figure 34. Internal Reference Configuration

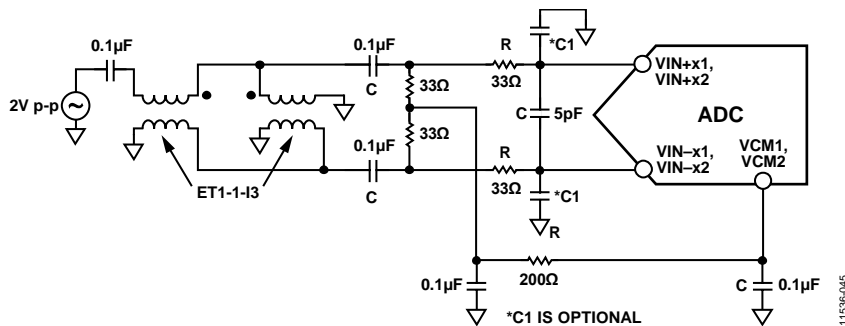


Figure 35. Differential Double Balun Input Configuration for Baseband Applications

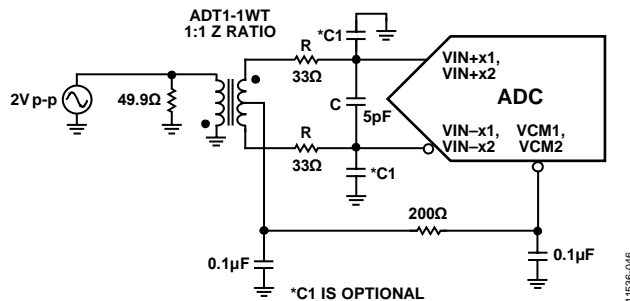


Figure 36. Differential Transformer Coupled Configuration for Baseband Applications

If the internal reference of the AD9249 is used to drive multiple converters to improve gain matching, the loading of the reference by the other converters must be considered. Figure 37 shows how the internal reference voltage is affected by loading.

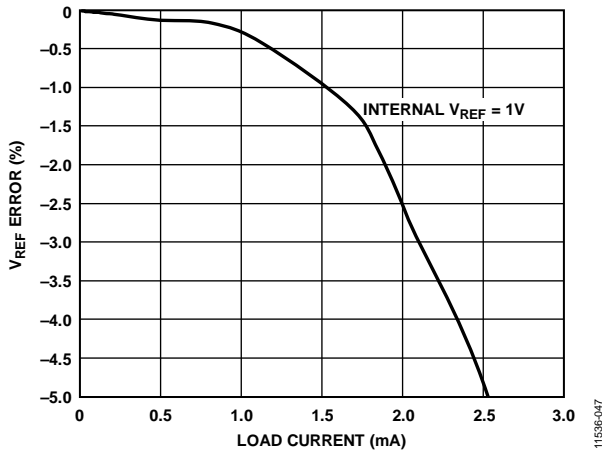


Figure 37. V_{REF} Error vs. Load Current

External Reference Operation

The use of an external reference may be necessary to enhance the gain accuracy of the ADC or improve thermal drift characteristics. Figure 38 shows the typical drift characteristics of the internal reference in 1.0 V mode.

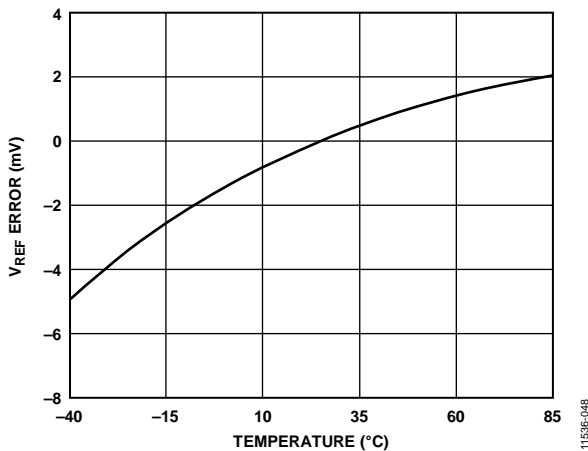


Figure 38. Typical V_{REF} Drift

When the SENSE pin is tied to AVDD, the internal reference is disabled, allowing the use of an external reference. An internal reference buffer loads the external reference with an equivalent 7.5 kΩ load (see Figure 31). The internal buffer generates the positive and negative full-scale references for the ADC core. Therefore, limit the external reference to a maximum of 1.0 V.

Do not leave the SENSE pin floating.

CLOCK INPUT CONSIDERATIONS

For optimum performance, clock the AD9249 sample clock inputs, CLK+ and CLK-, with a differential signal. The signal is typically ac-coupled into the CLK+ and CLK- pins via a transformer or capacitors. These pins are biased internally (see Figure 25) and require no external bias.

Clock Input Options

The AD9249 has a flexible clock input structure. The clock input can be a CMOS, LVDS, LVPECL, or sine wave signal. Regardless of the type of signal being used, clock source jitter is of the utmost concern, as described in the Jitter Considerations section.

Figure 39 and Figure 40 show two preferred methods for clocking the AD9249 (at clock rates of up to 520 MHz prior to the internal clock divider). A low jitter clock source is converted from a single-ended signal to a differential signal using either an RF transformer or an RF balun.

The RF balun configuration is recommended for clock frequencies from 65 MHz to 520 MHz, and the RF transformer is recommended for clock frequencies from 10 MHz to 200 MHz. The antiparallel Schottky diodes across the transformer/balun secondary winding limit clock excursions into the AD9249 to approximately 0.8 V p-p differential.

This limit helps prevent the large voltage swings of the clock from feeding through to other portions of the AD9249 while preserving the fast rise and fall times of the signal that are critical to achieving a low jitter performance. However, the diode capacitance comes into play at frequencies above 500 MHz. Take care when choosing the appropriate signal limiting diode.

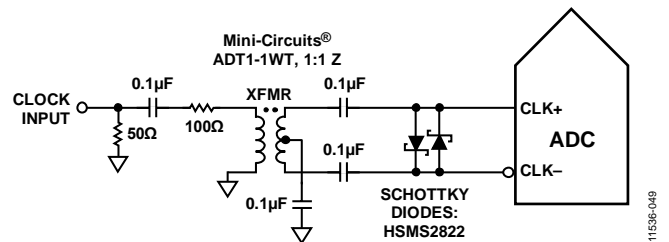


Figure 39. Transformer-Coupled Differential Clock (Up to 200 MHz)

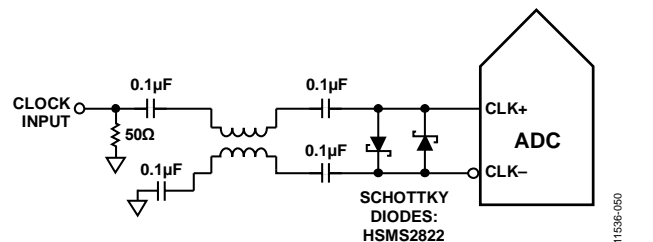


Figure 40. Balun-Coupled Differential Clock (65 MHz to 520 MHz)

If a low jitter clock source is not available, another option is to ac couple a differential PECL signal to the sample clock input pins, as shown in Figure 41. The AD9510/AD9511/AD9512/AD9513/AD9514/AD9515-x/AD9516-x/AD9517-x clock drivers offer excellent jitter performance.

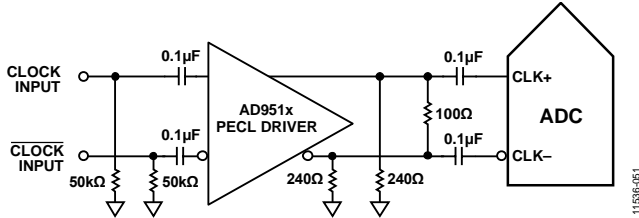


Figure 41. Differential PECL Sample Clock (Up to 520 MHz)

A third option is to ac couple a differential LVDS signal to the sample clock input pins, as shown in Figure 42. The AD9510/AD9511/AD9512/AD9513/AD9514/AD9515-x/AD9516-x/AD9517-x clock drivers offer excellent jitter performance.

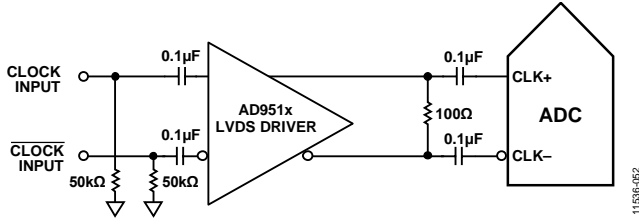
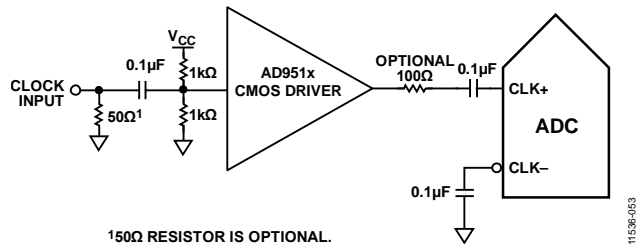


Figure 42. Differential LVDS Sample Clock (Up to 520 MHz)

In some applications, it may be acceptable to drive the sample clock inputs with a single-ended 1.8 V CMOS signal. In such applications, drive the CLK+ pin directly from a CMOS gate, and bypass the CLK- pin to ground with a 0.1 µF capacitor (see Figure 43).



150Ω RESISTOR IS OPTIONAL.

Figure 43. Single-Ended 1.8 V CMOS Input Clock (Up to 200 MHz)

Input Clock Divider

The AD9249 contains an input clock divider with the ability to divide the input clock by integer values from 1 to 8.

The AD9249 clock divider can be synchronized using the external SYNC input. Bit 0 and Bit 1 of Register 0x109 allow the clock divider to be resynchronized on every SYNC signal or only on the first SYNC signal after the register is written. A valid SYNC causes the clock divider to reset to its initial state. This synchronization feature allows the clock dividers of multiple devices to be aligned to guarantee simultaneous input sampling.

Clock Duty Cycle

Typical high speed ADCs use both clock edges to generate a variety of internal timing signals and, as a result, may be sensitive to clock duty cycle. Commonly, a ±5% tolerance is required on the clock duty cycle to maintain dynamic performance characteristics.

The AD9249 contains a duty cycle stabilizer (DCS) that retimes the nonsampling (falling) edge, providing an internal clock signal with a nominal 50% duty cycle. This allows the user to provide a wide range of clock input duty cycles without affecting the performance of the AD9249. Noise and distortion performance are nearly flat for a wide range of duty cycles with the DCS turned on.

Jitter on the rising edge of the input is still of concern and is not easily reduced by the internal stabilization circuit. The duty cycle control loop does not function for clock rates of less than 20 MHz, nominally. The loop has a time constant associated with it that must be considered in applications in which the clock rate can change dynamically. A wait time of 1.5 µs to 5 µs is required after a dynamic clock frequency increase or decrease before the DCS loop is relocked to the input signal.

Jitter Considerations

High speed, high resolution ADCs are sensitive to the quality of the clock input. The degradation in SNR at a given input frequency (f_A) that is due only to aperture jitter (t_j) is expressed by

$$SNR \text{ Degradation} = 20 \log_{10} \left(\frac{1}{2\pi \times f_A \times t_j} \right)$$

In this equation, the rms aperture jitter represents the root-sum-square of all jitter sources, including the clock input, analog input signal, and ADC aperture jitter specifications. IF undersampling applications are particularly sensitive to jitter (see Figure 44).

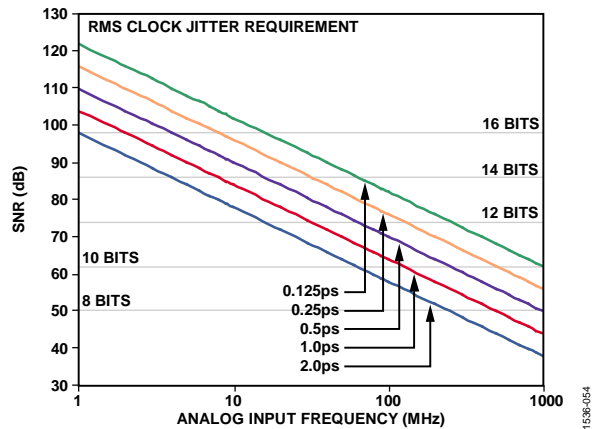


Figure 44. Ideal SNR vs. Input Frequency and Jitter

Treat the clock input as an analog signal in cases where aperture jitter may affect the dynamic range of the AD9249. Separate the clock driver power supplies from the ADC output driver supplies to avoid modulating the clock signal with digital noise. Low jitter, crystal controlled oscillators are excellent clock sources. If another type of source generates the clock (by gating, dividing, or another method), ensure that it is retimed by the original clock at the last step.

See the [AN-501 Application Note, Aperture Uncertainty and ADC System Performance](#), and the [AN-756 Application Note, Sampled Systems and the Effects of Clock Phase Noise and Jitter](#), for more in depth information about jitter performance as it relates to ADCs.

POWER DISSIPATION AND POWER-DOWN MODE

As shown in Figure 45, the power dissipated by the AD9249 is proportional to its sample rate and can be set to one of several power saving modes using Register 0x100, Bits[2:0].

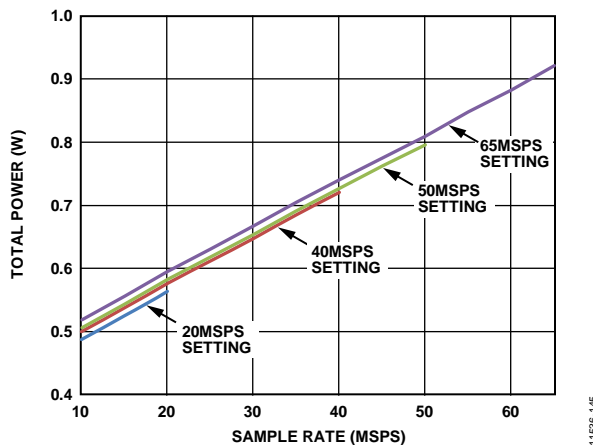


Figure 45. Total Power vs. f_{SAMPLE} for $f_{\text{IN}} = 9.7$ MHz

The AD9249 is placed in power-down mode either by the SPI port or by asserting the PDWN pin high. In this state, the ADC typically dissipates 2 mW. During power-down, the output drivers are placed in a high impedance state. Asserting the PDWN pin low returns the AD9249 to its normal operating mode. Note that PDWN is referenced to the digital output driver supply (DRVDD) and should not exceed that supply voltage.

Low power dissipation in power-down mode is achieved by shutting down the reference, reference buffer, biasing networks, and clock. The internal capacitors are discharged when the device enters power-down mode and then must be recharged when returning to normal operation. As a result, wake-up time is related to the time spent in power-down mode, and shorter power-down cycles result in proportionally shorter wake-up times. When using the SPI port interface, the user can place the ADC in power-down mode or standby mode. Standby mode allows the user to keep the internal reference circuitry powered when faster wake-up times are required. See the Memory Map section for more details on using these features.

DIGITAL OUTPUTS AND TIMING

The AD9249 differential outputs conform to the ANSI-644 LVDS standard on default power-up. This can be changed to a low power, reduced signal option (similar to the IEEE 1596.3 standard) via the SPI. The LVDS driver current is derived on chip and sets the output current at each output equal to a nominal 3.5 mA. A 100 Ω differential termination resistor placed at the LVDS receiver inputs results in a nominal 350 mV swing (or 700 mV p-p differential) at the receiver.

When operating in reduced range mode, the output current reduces to 2 mA. This results in a 200 mV swing (or 400 mV p-p differential) across a 100 Ω termination at the receiver.

The AD9249 LVDS outputs facilitate interfacing with LVDS receivers in custom ASICs and FPGAs for superior switching performance in noisy environments. Single point-to-point net topologies are recommended with a 100 Ω termination resistor placed as near to the receiver as possible. If there is no far end receiver termination or there is poor differential trace routing, timing errors may result. To avoid such timing errors, it is recommended that the trace length be less than 24 inches, with all traces the same length. Place the differential output traces as near to each other as possible. An example of the FCO and data stream with proper trace length and position is shown in Figure 46. Figure 47 shows an LVDS output timing example in reduced range mode.

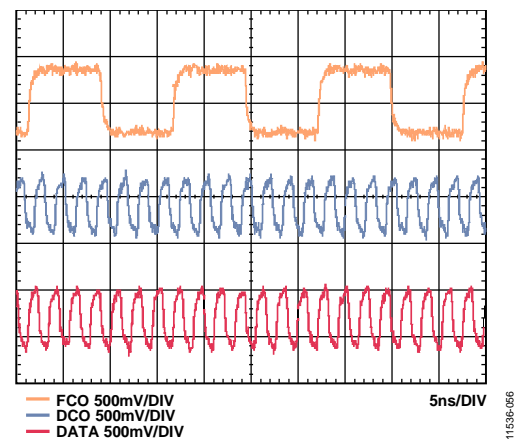


Figure 46. LVDS Output Timing Example in ANSI-644 Mode (Default)

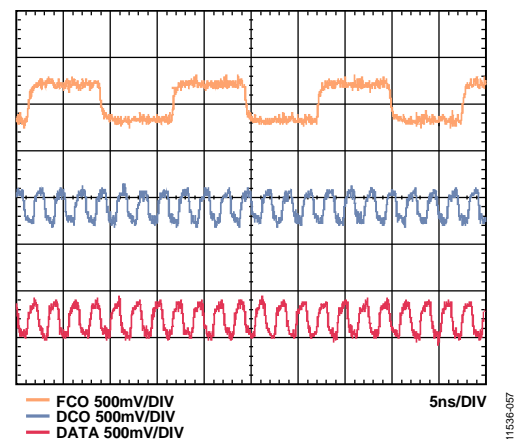


Figure 47. LVDS Output Timing Example in Reduced Range Mode

Figure 48 shows an example of the LVDS output using the ANSI-644 standard (default) data eye and a time interval error (TIE) jitter histogram with trace lengths of less than 24 inches on standard FR-4 material.

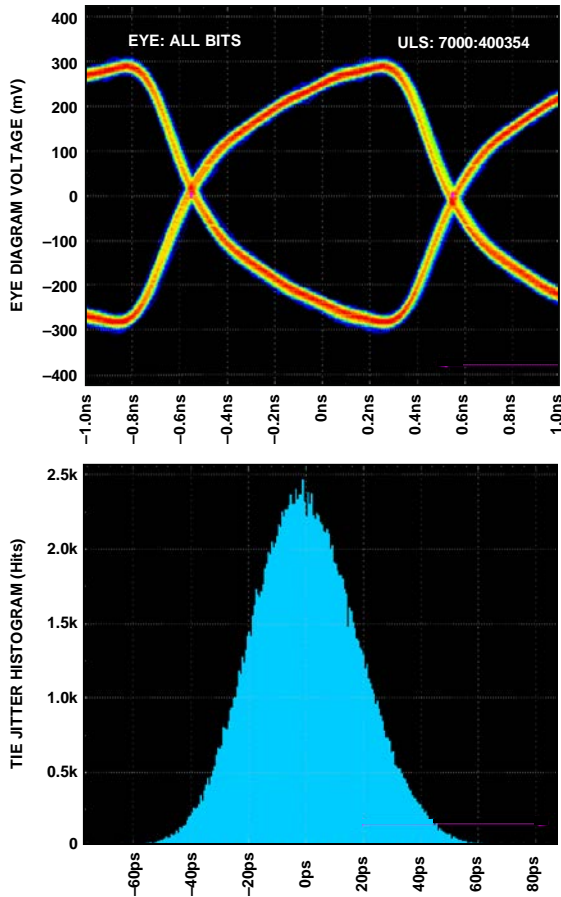


Figure 48. Data Eye for LVDS Outputs in ANSI-644 Mode with Trace Lengths of Less Than 24 Inches on Standard FR-4 Material, External 100 Ω Far End Termination Only

Figure 49 shows an example of trace lengths exceeding 24 inches on standard FR-4 material. Note that the TIE jitter histogram reflects the decrease of the data eye opening as the edge deviates from the ideal position.

It is the responsibility of the user to determine if the waveforms meet the timing budget of the design when the trace lengths exceed 24 inches. Additional SPI options allow the user to further increase the internal termination (increasing the current) of all 16 outputs to drive longer trace lengths, which can be achieved by

programming Register 0x15. Although this option produces sharper rise and fall times on the data edges and is less prone to bit errors, it also increases the power dissipation of the DRVDD supply.

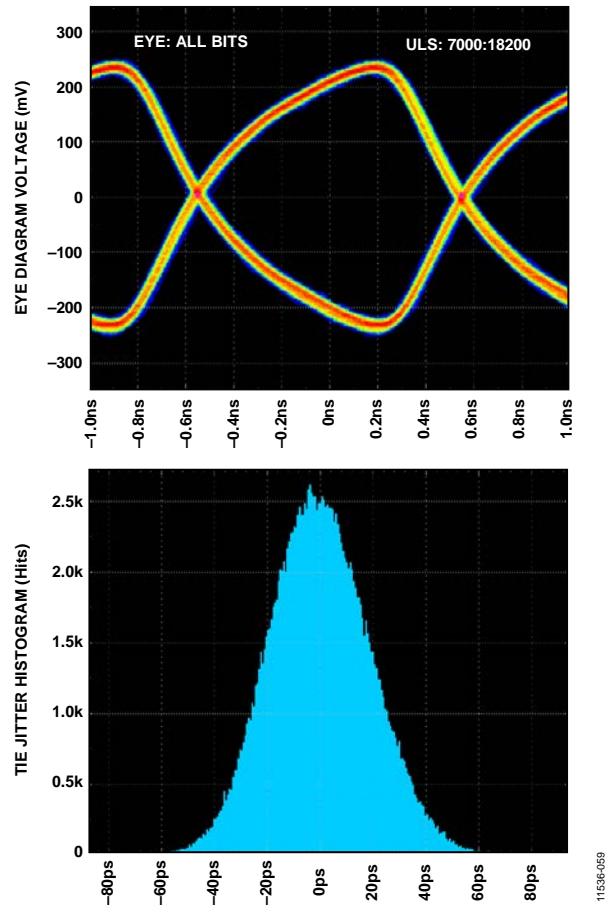


Figure 49. Data Eye for LVDS Outputs in ANSI-644 Mode with Trace Lengths of Greater Than 24 Inches on Standard FR-4 Material, External 100 Ω Far End Termination Only

The default format of the output data is twos complement. Table 10 shows an example of the output coding format. To change the output data format to offset binary, see the Memory Map section.

Data from each ADC is serialized and provided on a separate channel in DDR mode. The data rate for each serial stream is equal to 14 bits times the sample clock rate, quantity divided by 2, with a maximum of 455 Mbps (14 bits × 65 MSPS)/2 = 455 Mbps. The lowest typical conversion rate is 10 MSPS. See the Memory Map section for details on enabling this feature.

Table 10. Digital Output Coding

| Input (V) | Condition (V) | Offset Binary Output Mode | Twos Complement Mode |
|-------------|-------------------|---------------------------|----------------------|
| VIN+ – VIN– | < –VREF – 0.5 LSB | 00 0000 0000 0000 | 10 0000 0000 0000 |
| VIN+ – VIN– | = –VREF | 00 0000 0000 0000 | 10 0000 0000 0000 |
| VIN+ – VIN– | = 0 | 10 0000 0000 0000 | 00 0000 0000 0000 |
| VIN+ – VIN– | = +VREF – 1.0 LSB | 11 1111 1111 1111 | 01 1111 1111 1111 |
| VIN+ – VIN– | > +VREF – 0.5 LSB | 11 1111 1111 1111 | 01 1111 1111 1111 |

Two output clock types are provided to assist in capturing data from the AD9249. DCO±1 and DCO±2 clock the output data, and their frequency is equal to 7× the sample clock (CLK±) rate for the default mode of operation. Data is clocked out of the AD9249 and must be captured on the rising and falling edges of the DCO that supports double data rate (DDR) capturing. DCO±1 is used to capture the D±x1 (Bank 1) data; DCO±2 is used to capture the D±x2 (Bank 2) data. FCO±1 and FCO±2 signal the start of a new output byte, and the frequency is equal to the sample clock rate. FCO±1 frames the D±x1 (Bank 1) data; FCO±2 frames the D±x2 (Bank 2) data (see Figure 3 and Figure 4).

When the SPI is used, the DCO phase can be adjusted in 60° increments relative to one data cycle (30° relative to one DCO cycle). This enables the user to refine system timing margins, if required. The default DCO±1 and DCO±2 to output data edge timing, as shown in Figure 3, is 180° relative to one data cycle (90° relative to one DCO cycle).

A 12-bit serial stream can also be initiated from the SPI. This allows the user to implement and test compatibility to lower resolution systems. When changing the resolution to a 12-bit serial stream, the data stream is shortened. See Figure 4 for the 12-bit example.

In default mode, as shown in Figure 3, the MSB is first in the data output serial stream. This can be inverted so that the LSB is first in the data output serial stream by using the SPI.

There are 12 digital output test pattern options available that can be initiated through the SPI. This is a useful feature when validating receiver capture and timing (see Table 11 for the output bit sequencing options that are available). Some test patterns have two serial sequential words and can alternate in various ways, depending on the test pattern chosen. Note that some patterns do not adhere to the data format select option. In addition, custom user-defined test patterns can be assigned in Register 0x19, Register 0x1A, Register 0x1B, and Register 0x1C.

Table 11. Flexible Output Test Modes

| Output Test Mode Bit Sequence (Reg. 0x0D) | Pattern Name | Digital Output Word 1 ¹ | Digital Output Word 2 ¹ | Subject to Data Format Select ¹ | Notes |
|---|--------------------------------|---|---|--|--|
| 0000 | Off (default) | N/A | N/A | N/A | |
| 0001 | Midscale short | 1000 0000 0000 (12-bit) 10 0000 0000 0000 (14-bit) | N/A | Yes | Offset binary code shown |
| 0010 | +Full-scale short | 1111 1111 1111 (12-bit) 11 1111 1111 1111 (14-bit) | N/A | Yes | Offset binary code shown |
| 0011 | −Full-scale short | 0000 0000 0000 (12-bit) 00 0000 0000 0000 (14-bit) | N/A | Yes | Offset binary code shown |
| 0100 | Checkerboard | 1010 1010 1010 (12-bit) 10 1010 1010 1010 (14-bit) | 0101 0101 0101 (12-bit) 01 0101 0101 0101 (14-bit) | No | |
| 0101 | PN sequence long ² | N/A | N/A | Yes | PN23 ITU 0.150 $X^{23} + X^{18} + 1$ |
| 0110 | PN sequence short ² | N/A | N/A | Yes | PN9 ITU 0.150 $X^9 + X^5 + 1$ |
| 0111 | One-/zero-word toggle | 1111 1111 1111 (12-bit) 11 1111 1111 1111 (14-bit) | 0000 0000 0000 (12-bit) 00 0000 0000 0000 (14-bit) | No | |
| 1000 | User input | Register 0x19 to Register 0x1A | Register 0x1B to Register 0x1C | No | |
| 1001 | 1-/0-bit toggle | 1010 1010 1010 (12-bit) 10 1010 1010 1010 (14-bit) | N/A | No | |
| 1010 | 1× sync | 0000 0011 1111 (12-bit) 00 0000 0111 1111 (14-bit) | N/A | No | |
| 1011 | One bit high | 1000 0000 0000 (12-bit) 10 0000 0000 0000 (14-bit) | N/A | No | Pattern associated with the external pin |
| 1100 | Mixed frequency | 1010 0011 0011 (12-bit) 10 1000 0110 0111 (14-bit) | N/A | No | |

¹ N/A means not applicable.

² All test mode options except PN sequence short and PN sequence long can support 12-bit to 14-bit word lengths to verify data capture to the receiver.

The PN sequence short pattern produces a pseudorandom bit sequence that repeats itself every $2^9 - 1$ or 511 bits. Refer to Section 5.1 of the ITU-T 0.150 (05/96) standard for a description of the PN sequence and how it is generated. The seed value is all 1s (see Table 12 for the initial values). The output is a parallel representation of the serial PN9 sequence in MSB-first format. The first output word is the first 14 bits of the PN9 sequence in MSB aligned form.

Table 12. PN Sequence

| Sequence | Initial Value | Next Three Output Samples (MSB First) Twos Complement |
|-------------------|---------------|---|
| PN Sequence Short | 0x1FE0 | 0x1DF1, 0x3CC8, 0x294E |
| PN Sequence Long | 0x1FFF | 0x1FE0, 0x2001, 0x1C00 |

The PN sequence long pattern produces a pseudorandom bit sequence that repeats itself every $2^{23} - 1$ or 8,388,607 bits. Refer to Section 5.6 of the ITU-T 0.150 (05/96) standard for a description of the PN sequence and how it is generated. The seed value is all 1s (see Table 12 for the initial values) and the [AD9249](#) inverts the bit stream with relation to the ITU standard. The output is a parallel representation of the serial PN23 sequence in MSB-first format. The first output word is the first 14 bits of the PN23 sequence in MSB aligned format.

Consult the Memory Map section for information on how to change these additional digital output timing features through the SPI.

SDIO/DFS Pin

For applications that do not require SPI mode operation, the CSB1 and CSB2 pins are tied to AVDD, and the SDIO/DFS pin controls the output data format select as described in Table 13.

Table 13. Output Data Format Select Pin Settings

| DFS Pin Voltage | Output Mode |
|-----------------|-----------------|
| AVDD | Twos complement |
| GND (Default) | Offset binary |

SCLK/DTP Pin

The SCLK/DTP pin can enable a single digital test pattern if it and the CSB1 and CSB2 pins are held high during device power-up. When SCLK/DTP is tied to AVDD, the ADC channel outputs shift out the following pattern: 10 0000 0000 0000. The FCO \pm 1, FCO \pm 2, DCO \pm 1, and DCO \pm 2 pins function normally while all channels shift out the repeatable test pattern. This pattern allows the user to perform timing alignment adjustments among the FCO \pm 1, FCO \pm 2, DCO \pm 1, DCO \pm 2, and output data. The SCLK/DTP pin has an internal 30 k Ω resistor to GND. It can be left unconnected for normal operation.

Table 14. Digital Test Pattern Pin Settings

| Selected DTP | DTP Voltage | Resulting D \pm xx |
|------------------|-------------|----------------------|
| Normal Operation | No connect | Normal operation |
| DTP | AVDD | 10 0000 0000 0000 |

Additional and custom test patterns can also be observed when commanded from the SPI port. Consult the Memory Map section for information about the options that are available.

CSB1 and CSB2 Pins

The CSB1 and CSB2 pins are tied to AVDD for applications that do not require SPI mode operation. Tying CSB1 and CSB2 high causes all SCLK and SDIO SPI communication information to be ignored.

CSB1 selects/deselects SPI circuitry affecting outputs D \pm A1 to D \pm H1 (Bank 1). CSB2 selects/deselects SPI circuitry affecting outputs D \pm A2 to D \pm H2 (Bank 2).

It is recommended that CSB1 and CSB2 be controlled with the same signal; that is, tie them together. In this way, whether tying them to AVDD or selecting SPI functionality, both banks of ADCs are controlled identically and are always in the same state.

RBIAS1 and RBIAS2 Pins

To set the internal core bias current of the ADC, place a 10.0 k Ω , 1% tolerance resistor to ground at each of the RBIAS1 and RBIAS2 pins.

BUILT-IN OUTPUT TEST MODES

The [AD9249](#) includes a built-in test feature designed to enable verification of the integrity of each data output channel, as well as to facilitate board level debugging. Various output test modes are provided to place predictable values on the outputs of the [AD9249](#).

OUTPUT TEST MODES

The output test modes are described in Table 11 and controlled by the output test mode bits at Address 0x0D. When an output test mode is enabled, the analog section of the ADC is disconnected

from the digital back-end blocks and the test pattern is run through the output formatting block. Some of the test patterns are subject to output formatting, and some are not. The PN generators from the PN sequence tests can be reset by setting Bit 4 or Bit 5 of Register 0x0D. These tests can be performed with or without an analog signal (if present, the analog signal is ignored), but they do require an encode clock. For more information, see the [AN-877 Application Note, Interfacing to High Speed ADCs via SPI](#).

SERIAL PORT INTERFACE (SPI)

The AD9249 serial port interface (SPI) allows the user to configure the converter for specific functions or operations through a structured register space provided inside the ADC. The SPI offers the user added flexibility and customization, depending on the application. Addresses are accessed via the serial port and can be written to or read from via the port. Memory is organized into bytes that can be further divided into fields, which are documented in the Memory Map section. For general operational information, see the [AN-877 Application Note, Interfacing to High Speed ADCs via SPI](#). SPI information specific to the AD9249 is found in the AD9249 datasheet and takes precedence over the general information found in the [AN-877 Application Note](#).

CONFIGURATION USING THE SPI

Four pins define the SPI of this ADC: the SCLK/DTP pin (SCLK functionality), the SDIO/DFS pin (SDIO functionality), and the CSB1 and CSB2 pins (see Table 15). SCLK (a serial clock) is used to synchronize the read and write data presented from and to the ADC. SDIO (serial data input/output) serves a dual function that allows data to be sent to and read from the internal ADC memory map registers. CSB1 and CSB2 (chip select bar) are active low controls that enable or disable the read and write cycles.

Table 15. Serial Port Interface Pins

| Pin | Function |
|-----------------|--|
| SCLK (SCLK/DTP) | Serial clock. The serial shift clock input, which is used to synchronize serial interface reads and writes. |
| SDIO (SDIO/DFS) | Serial data input/output. A dual-purpose pin that serves as an input or an output, depending on the instruction being sent and the relative position in the timing frame. |
| CSB1, CSB2 | Chip select bar. An active low control that gates the read and write cycles. CSB1 enables/disables SPI for eight channels in Bank 1; CSB2 enables/disables SPI for eight channels in Bank 2. |

The falling edge of CSB1 and/or CSB2, in conjunction with the rising edge of SCLK, determines the start of the framing. For an example of the serial timing and its definitions, see Figure 50 and Table 5.

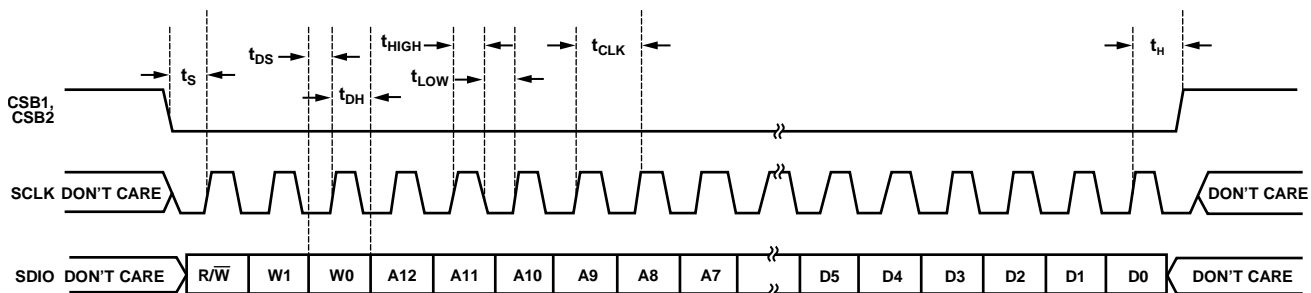


Figure 50. Serial Port Interface Timing Diagram

Other modes involving the CSB1 and CSB2 pins are available. To permanently enable the device, hold CSB1 and CSB2 low indefinitely; this is called streaming. CSB1 and CSB2 can stall high between bytes to allow additional external timing. Tie CSB1 and CSB2 high to place SPI functions in high impedance mode. This mode turns on any SPI secondary pin functions.

It is recommended that CSB1 and CSB2 be controlled with the same signal by tying them together. In this way, whether tying them to AVDD or selecting SPI functionality, both banks of ADCs are controlled identically and are always in the same state.

During an instruction phase, a 16-bit instruction is transmitted. Data follows the instruction phase, and its length is determined by the W0 and W1 bits.

In addition to word length, the instruction phase determines whether the serial frame is a read or write operation, allowing the serial port to both program the chip and read the contents of the on-chip memory. The first bit of the first byte in a multibyte serial data transfer frame indicates whether a read command or a write command is issued. If the instruction is a readback operation, performing a readback causes the serial data input/output (SDIO) pin to change direction from an input to an output at the appropriate point in the serial frame.

Input data registers on the rising edge of SCLK, and output data transmits on the falling edge. After the address information passes to the converter requesting a read, the SDIO line transitions from an input to an output within 1/2 of a clock cycle. This timing ensures that when the falling edge of the next clock cycle occurs, data can be safely placed on this serial line for the controller to read.

All data is composed of 8-bit words. Data can be sent in MSB first mode or in LSB-first mode. MSB-first mode is the default on power-up and can be changed via the SPI port configuration register. For more information about this and other features, see the [AN-877 Application Note, Interfacing to High Speed ADCs via SPI](#).

HARDWARE INTERFACE

The pins described in Table 15 comprise the physical interface between the user programming device and the serial port of the [AD9249](#). The SCLK/DTP pin (SCLK functionality) and the CSB1 and CSB2 pins function as inputs when using the SPI interface. The SDIO/DFS pin (SDIO functionality) is bidirectional, functioning as an input during write phases and as an output during readback.

The SPI interface is flexible enough to be controlled by either FPGAs or microcontrollers. One method for SPI configuration is described in detail in the [AN-812 Application Note, Microcontroller-Based Serial Port Interface \(SPI\) Boot Circuit](#).

The SPI port should not be active during periods when the full dynamic performance of the converter is required. Because the SCLK signal, the CSB1 and CSB2 signals, and the SDIO signal are typically asynchronous to the ADC clock, noise from these signals can degrade converter performance. If the on-board SPI bus is used for other devices, it may be necessary to provide buffers between this bus and the [AD9249](#) to prevent these signals from transitioning at the converter inputs during critical sampling periods.

Some pins serve a dual function when the SPI interface is not being used. When the pins are strapped to DRVDD or ground during device power-on, they are associated with a specific function. Table 13 and Table 14 describe the strappable functions supported on the [AD9249](#).

CONFIGURATION WITHOUT THE SPI

In applications that do not interface to the SPI control registers, the SDIO/DFS pin, the SCLK/DTP pin, and the PDWN pin serve as standalone CMOS-compatible control pins. When the device is powered up, it is assumed that the user intends to use the

pins as static control lines for the output data format, output digital test pattern, and power-down feature control. In this mode, connect CSB1 and CSB2 to AVDD, which disables the serial port interface.

When the device is in SPI mode, the PDWN pin (if enabled) remains active. For SPI control of power-down, set the PDWN pin to its inactive state (low).

SPI ACCESSIBLE FEATURES

Table 16 provides a brief description of the general features that are accessible via the SPI. These features are described further in the [AN-877 Application Note, Interfacing to High Speed ADCs via SPI](#). The [AD9249](#) device-specific features are described in detail in the Memory Map Register Descriptions section following Table 17, the external memory map register table.

Table 16. Features Accessible Using the SPI

| Feature Name | Description |
|--------------------------------|---|
| Power Mode | Allows the user to set either power-down mode or standby mode |
| Clock | Allows the user to access the DCS, set the clock divider, set the clock divider phase, and enable the sync function |
| Offset | Allows the user to digitally adjust the converter offset |
| Test I/O | Allows the user to set test modes to have known data on output bits |
| Output Mode | Allows the user to set the output mode |
| Output Phase | Allows the user to set the output clock polarity |
| ADC Resolution and Speed Grade | Allows scalable power consumption options based on resolution and speed grade selection |

MEMORY MAP

READING THE MEMORY MAP REGISTER TABLE

Each row in the memory map register table has eight bit locations. The memory map is divided into three sections: the chip configuration registers (Address 0x00 to Address 0x02); the device index and transfer registers (Address 0x04, Address 0x05, and Address 0xFF); and the global ADC function registers, including setup, control, and test (Address 0x08 to Address 0x109).

The memory map register table (see Table 17) lists the default hexadecimal value for each hexadecimal address shown. The column with the Bit 7 (MSB) heading is the MSB of the binary 8-bit representation. For example, Address 0x05, the Device Index 1 register, has a hexadecimal default value of 0x3F. This means that in Address 0x05, Bits[7:6] = 0, and the remaining bits, Bits[5:0], = 1. This setting is the default channel index setting. The default value results in all specified ADC channels receiving the next write command. For more information on this function and others, see the [AN-877 Application Note, Interfacing to High Speed ADCs via SPI](#). This application note details the functions controlled by Register 0x00 to Register 0xFF. The remaining registers are documented in the Memory Map Register Descriptions section.

Open Locations

All address and bit locations that are not listed in Table 17 are not currently supported for this device. Write the unused bits of a valid address location with 0s. Writing to these locations is required only when some of the bits of an address location are valid (for example, Address 0x05). Do not write to an address location if the entire address location is open or if the address is not listed in Table 17 (for example, Address 0x13).

Default Values

After the AD9249 is reset (via Bit 5 and Bit 2 of Address 0x00), the registers are loaded with default values. The default values for the registers are listed in the Default Value (Hex) column of Table 17, the memory map register table.

Logic Levels

An explanation of logic level terminology follows:

- “Bit is set” is synonymous with “bit is set to Logic 1” or “writing Logic 1 for the bit.”
- “Clear a bit” is synonymous with “bit is set to Logic 0” or “writing Logic 0 for the bit.”

Channel Specific Registers

Some channel setup functions can be programmed independently for each channel. In such cases, channel address locations are internally duplicated for each channel; that is, each channel has its own set of registers. These registers and bits are designated in Table 17 as local. Access these local registers and bits by setting the appropriate data channel bits (A1, A2 through H1, H2) and the clock channel bits (DCO±1, DCO±2 and FCO±1, FCO±2), found in Register 0x04 and Register 0x05. If all the valid bits are set in Register 0x04 and Register 0x05, the subsequent write to a local register affects the registers of all the data channels and the DCO±x/FCO±x clock channels. In a read cycle, set only one channel (A1, A2 through H1, H2) to read one local register. If all the bits are set during a SPI read cycle, the device returns the value for Channel A1.

Registers and bits that are designated as global in Table 17 are applicable to the channel features for which independent settings are not allowed; thus, they affect the entire device. The settings in Register 0x04 and Register 0x05 do not affect the global registers and bits.

MEMORY MAP

The AD9249 uses a 3-wire (bidirectional SDIO) interface and 16-bit addressing. Therefore, Bit 0 and Bit 7 in Register 0x00 are set to 0, and Bit 3 and Bit 4 are set to 1. When Bit 5 in Register 0x00 is set high, the SPI enters a soft reset where all of the user registers revert to their default values and Bit 2 is automatically cleared.

Table 17. Memory Map Register Table

| Reg. Addr. (Hex) | Register Name | Bit 7 (MSB) | Bit 6 | Bit 5 | Bit 4 | Bit 3 | Bit 2 | Bit 1 | Bit 0 (LSB) | Default Value (Hex) | Comments |
|-------------------------------------|------------------------|---|---|--|-----------------------------|----------------------|----------------------|---|---|---------------------|---|
| Chip Configuration Registers | | | | | | | | | | | |
| 0x00 | SPI port configuration | 0 = SDIO active | LSB first | Soft reset | 1 = 16-bit address | 1 = 16-bit address | Soft reset | LSB first | 0 = SDIO active | 0x18 | Nibbles are mirrored such that a given register value yields the same function for either LSB first mode or MSB first mode. |
| 0x01 | Chip ID (global) | 8-bit chip ID, Bits[7:0]; 0x92 = the AD9249, a 16-channel, 14-bit, 65 MSPS serial LVDS | | | | | | | | Read only; 0x92 | Unique chip ID used to differentiate devices. Read only. |
| 0x02 | Chip grade (global) | Open | Speed grade ID, Bits[6:4]; 011 = 65 MSPS | | | Open | Open | Open | Open | Read only | Unique speed grade ID used to differentiate graded devices. Read only. |
| Device Index and Transfer Registers | | | | | | | | | | | |
| 0x04 | Device Index 2 | Open | Open | Open | Open | H1, H2 data channels | G1, G2 data channels | F1, F2 data channels | E1, E2 data channels | 0x0F | Bits are set to determine which device on chip receives the next write command. The default is all devices on chip. |
| 0x05 | Device Index 1 | Open | Open | DCO±1, DCO±2 clock channels | FCO±1, FCO±2 clock channels | D1, D2 data channels | C1, C2 data channels | B1, B2 data channels | A1, A2 data channels | 0x3F | Bits are set to determine which device on chip receives the next write command. The default is all devices on chip. |
| 0xFF | Transfer | Open | Open | Open | Open | Open | Open | Open | Initiate override | 0x00 | Sets resolution/sample rate override. |
| Global ADC Function Registers | | | | | | | | | | | |
| 0x08 | Power modes (global) | Open | Open | External power-down pin function; 0 = full power-down, 1 = standby | Open | Open | Open | Internal power-down mode, Bits[1:0]; 00 = chip run 01 = full power-down 10 = standby 11 = digital reset | | 0x00 | Determines various generic modes of chip operation. |
| 0x09 | Clock (global) | Open | Open | Open | Open | Open | Open | Open | Duty cycle stabilizer; 0 = off 1 = on | 0x01 | Turns duty cycle stabilizer on or off. |

| Reg. Addr. (Hex) | Register Name | Bit 7 (MSB) | Bit 6 | Bit 5 | Bit 4 | Bit 3 | Bit 2 | Bit 1 | Bit 0 (LSB) | Default Value (Hex) | Comments |
|------------------|---|---|--|--|--------------------|---|--|-------|---|---------------------|---|
| 0x0B | Clock divide (global) | Open | Open | Open | Open | Open | Clock divide ratio, Bits[2:0]; 000 = divide by 1 001 = divide by 2 010 = divide by 3 011 = divide by 4 100 = divide by 5 101 = divide by 6 110 = divide by 7 111 = divide by 8 | | | 0x00 | Divide ratio is the value plus 1. |
| 0x0C | Enhancement control | Open | Open | Open | Open | Open | Chop mode; 0 = off 1 = on | Open | Open | 0x00 | Enables/disables chop mode. |
| 0x0D | Test mode (local except for PN sequence resets) | User input test mode, Bits[7:6]; 00 = single 01 = alternate 10 = single once 11 = alternate once (affects user input test mode only; Register 0x0D, Bits[3:0] = 1000) | | Reset PN long gen | Reset PN short gen | Output test mode, Bits[3:0] (local); 0000 = off (default) 0001 = midscale short 0010 = positive FS 0011 = negative FS 0100 = alternating checkerboard 0101 = PN23 sequence 0110 = PN9 sequence 0111 = one-/zero-word toggle 1000 = user input 1001 = 1-/0-bit toggle 1010 = 1× sync 1011 = one bit high 1100 = mixed bit frequency | | | | 0x00 | When set, test data is placed on the output pins in place of normal data. |
| 0x10 | Offset adjust (local) | 8-bit device offset adjustment, Bits[7:0] (local); offset adjust in LSBs from +127 to -128 (twos complement format) | | | | | | | | 0x00 | Device offset trim. |
| 0x14 | Output mode | Open | LVDS-ANSI/ LVDS-IEEE option; 0 = LVDS-ANSI 1 = LVDS-IEEE reduced range link (global); see Table 18 | Open | Open | Open | Output invert; 0 = not inverted 1 = inverted (local) | Open | Output format; 0 = offset binary 1 = twos complement (default) (global) | 0x01 | Configures outputs and format of the data. |
| 0x15 | Output adjust | Open | Open | Output driver termination, Bits[5:4]; 00 = none 01 = 200 Ω 10 = 100 Ω 11 = 100 Ω | | Open | Open | Open | FCO±x, DCO±x output drive (local); 0 = 1× drive 1 = 2× drive | 0x00 | Determines LVDS or other output properties. |
| 0x16 | Output phase | Open | Input clock phase adjust, Bits[6:4]; (value is number of input clock cycles of phase delay; see Table 19) | | | Output clock phase adjust, Bits[3:0]; (setting = 0000 to 1011; see Table 20) | | | | 0x03 | On devices that use global clock divide, determines which phase of the divider output supplies the output clock. Internal latching is unaffected. |
| 0x18 | V _{REF} | Open | Open | Open | Open | Open | Input full-scale adjustment; digital scheme, Bits[2:0]; 000 = 1.0 V p-p 001 = 1.14 V p-p 010 = 1.33 V p-p 011 = 1.6 V p-p 100 = 2.0 V p-p | | | 0x04 | Digital adjustment of input full-scale voltage. Does not affect analog voltage reference |

| Reg. Addr. (Hex) | Register Name | Bit 7 (MSB) | Bit 6 | Bit 5 | Bit 4 | Bit 3 | Bit 2 | Bit 1 | Bit 0 (LSB) | Default Value (Hex) | Comments |
|------------------|-------------------------------------|-----------------------|---|--|-------|--------------------------|---|--|--------------------|---------------------|--|
| 0x19 | USER_PATT1_LSB (global) | B7 | B6 | B5 | B4 | B3 | B2 | B1 | B0 | 0x00 | User Defined Pattern 1 LSB. |
| 0x1A | USER_PATT1_MSB (global) | B15 | B14 | B13 | B12 | B11 | B10 | B9 | B8 | 0x00 | User Defined Pattern 1 MSB. |
| 0x1B | USER_PATT2_LSB (global) | B7 | B6 | B5 | B4 | B3 | B2 | B1 | B0 | 0x00 | User Defined Pattern 2 LSB. |
| 0x1C | USER_PATT2_MSB (global) | B15 | B14 | B13 | B12 | B11 | B10 | B9 | B8 | 0x00 | User Defined Pattern 2 MSB. |
| 0x21 | Serial output data control (global) | LVDS output LSB first | Wordwise DDR, one lane, Bits[6:4]; 100 = DDR, one lane | | | PLL low encode rate mode | Open | Serial output number of bits, Bits[1:0]; 01 = 14 bits 10 = 12 bits | | 0x41 | Serial stream control. Default causes MSB first and the native bit stream. |
| 0x22 | Serial channel status (local) | Open | Open | Open | Open | Open | Open | Channel output reset | Channel power-down | 0x00 | Powers down individual sections of a converter. |
| 0x100 | Resolution/sample rate override | Open | Resolution/sample rate override enable | Resolution, Bits[5:4]; 01 = 14 bits 10 = 12 bits | | Open | Sample rate, Bits[2:0]; 000 = 20 MSPS 001 = 40 MSPS 010 = 50 MSPS 011 = 65 MSPS | | | 0x00 | Resolution/sample rate override (requires transfer register, Register 0xFF). |
| 0x101 | User I/O Control 2 | Open | Open | Open | Open | Open | Open | Open | SDIO pull-down | 0x00 | Disables SDIO pull-down. |
| 0x102 | User I/O Control 3 | Open | Open | Open | Open | VCM power-down | Open | Open | Open | 0x00 | VCM control. |
| 0x109 | Sync | Open | Open | Open | Open | Open | Open | Sync next only | Enable sync | 0x00 | |

MEMORY MAP REGISTER DESCRIPTIONS

For additional information about functions controlled in Register 0x00 to Register 0xFF, see the [AN-877 Application Note, Interfacing to High Speed ADCs via SPI](#).

Device Index (Register 0x04 and Register 0x05)

There are certain features in the map that can be set independently for each channel, whereas other features apply globally to all channels (depending on context), regardless of which are selected. Bits[3:0] in Register 0x04 and Register 0x05 select which individual data channels are affected. The output clock channels are selected in Register 0x05, as well. A smaller subset of the independent feature list can be applied to those devices.

Transfer (Register 0xFF)

All registers except Register 0x100 are updated the moment they are written. Setting Bit 0 = 1 in the transfer register initializes the settings in the ADC resolution/sample rate override register (Address 0x100).

Power Modes (Register 0x08)

Bits[7:6]—Open

Bit 5—External Power-Down Pin Function

When set (Bit 5 = 1), the external PDWN pin initiates standby mode. When cleared (Bit 5 = 0), the external PDWN pin initiates full power-down mode.

Bits[4:2]—Open

Bits[1:0]—Internal Power-Down Mode

In normal operation (Bits[1:0] = 00), all ADC channels are active.

In full power-down mode (Bits[1:0] = 01), the digital datapath clocks are disabled and the digital datapath is reset. Outputs are disabled.

In standby mode (Bits[1:0] = 10), the digital datapath clocks and the outputs are disabled.

During a digital reset (Bits[1:0] = 11), all the digital datapath clocks and the outputs (where applicable) on the chip are reset, except the SPI port. Note that the SPI is always left under control of the user; that is, it is never automatically disabled or in reset (except by power-on reset).

Enhancement Control (Register 0x0C)

Bits[7:3]—Open

Bit 2—Chop Mode

For applications that are sensitive to offset voltages and other low frequency noise, such as homodyne or direct conversion receivers, chopping in the first stage of the AD9249 is a feature that can be enabled by setting Bit 2 = 1. In the frequency domain, chopping translates offsets and other low frequency noise to $f_{CLK}/2$, where they can be filtered.

Bits[1:0]—Open

Output Mode (Register 0x14)

Bit 7—Open

Bit 6—LVDS-ANSI/LVDS-IEEE Option

Setting Bit 6 = 1 chooses the LVDS-IEEE (reduced range) option. (The default setting is LVDS-ANSI.) As described in Table 18, when either LVDS-ANSI mode or the LVDS-IEEE reduced range link is selected, the user can select the driver termination resistor in Register 0x15, Bits[5:4]. The driver current is automatically selected to give the proper output swing.

Table 18. LVDS-ANSI/LVDS-IEEE Options

| LVDS-ANSI/ LVDS-IEEE Option, Bit 6 | Output Mode | Output Driver Termination | Output Driver Current |
|--|------------------------------------|------------------------------|---|
| 0 | LVDS-ANSI | User selectable | Automatically selected to give proper swing |
| 1 | LVDS-IEEE reduced range link | User selectable | Automatically selected to give proper swing |

Bits[5:3]—Open

Bit 2—Output Invert

Setting Bit 2 = 1 inverts the output bit stream.

Bit 1—Open

Bit 0—Output Format

By default, setting Bit 0 = 1 sends the data output in twos complement format. Clearing this bit (Bit 0 = 0) changes the output mode to offset binary.

Output Adjust (Register 0x15)

Bits[7:6]—Open

Bits[5:4]—Output Driver Termination

These bits allow the user to select the internal output driver termination resistor.

Bits[3:1]—Open

Bit 0—FCO±x, DCO±x Output Drive

Bit 0 of the output adjust register controls the drive strength on the LVDS driver of the FCO±1, FCO±2, DCO±1, and DCO±2 outputs only. The default value (Bit 0 = 0) sets the drive to 1×. Increase the drive to 2× by setting the appropriate channel bit in Register 0x05 and then setting Bit 0 = 1. These features cannot be used with the output driver termination selected. The termination selection takes precedence over the 2× driver strength on FCO±1, FCO±2, DCO±1, and DCO±2 when both the output driver termination and output drive are selected.

Output Phase (Register 0x16)**Bit 7—Open****Bits[6:4]—Input Clock Phase Adjust**

When the clock divider (Register 0x0B) is used, the applied clock is at a higher frequency than the internal sampling clock. Bits[6:4] determine at which phase of the external clock the sampling occurs. This is applicable only when the clock divider is used. It is prohibited to select a value for Bits[6:4] that is greater than the value of Bits[2:0], Register 0x0B. See Table 19 for more information.

Table 19. Input Clock Phase Adjust Options

| Input Clock Phase Adjust, Bits[6:4] | Number of Input Clock Cycles of Phase Delay |
|-------------------------------------|---|
| 000 (Default) | 0 |
| 001 | 1 |
| 010 | 2 |
| 011 | 3 |
| 100 | 4 |
| 101 | 5 |
| 110 | 6 |
| 111 | 7 |

Bits[3:0]—Output Clock Phase Adjust

See Table 20 for more information.

Table 20. Output Clock Phase Adjust Options

| Output Clock, Phase Adjust, Bits[3:0] | DCO Phase Adjustment (Degrees Relative to D±x Edge) |
|---------------------------------------|---|
| 0000 | 0 |
| 0001 | 60 |
| 0010 | 120 |
| 0011 (Default) | 180 |
| 0100 | 240 |
| 0101 | 300 |
| 0110 | 360 |
| 0111 | 420 |
| 1000 | 480 |
| 1001 | 540 |
| 1010 | 600 |
| 1011 | 660 |

Resolution/Sample Rate Override (Register 0x100)

This register is designed to allow the user to downgrade the device (that is, establish lower power) for applications that do not require full sample rate. Settings in this register are not initialized until Bit 0 of the transfer register (Register 0xFF) is set to 1.

This function does not affect the sample rate; it affects the maximum sample rate capability of the ADC, as well as the resolution.

User I/O Control 2 (Register 0x101)**Bits[7:1]—Open****Bit 0—SDIO Pull-Down**

Set Bit 0 = 1 to disable the internal 30 kΩ pull-down on the SDIO/DFS pin. This feature limits loading when many devices are connected to the SPI bus.

User I/O Control 3 (Register 0x102)**Bits[7:4]—Open****Bit 3—VCM Power-Down**

Set Bit 3 = 1 to power down the internal VCM generator. This feature is used when applying an external reference.

Bits[2:0]—Open

APPLICATIONS INFORMATION

DESIGN GUIDELINES

Before starting the design and layout of the [AD9249](#) as a system, it is recommended that the designer become familiar with these guidelines, which describe the special circuit connections and layout requirements that are needed for certain pins.

POWER AND GROUND RECOMMENDATIONS

When connecting power to the [AD9249](#), it is recommended that two separate 1.8 V supplies be used. Use one supply for analog (AVDD); use a separate supply for the digital outputs (DRVDD). For both AVDD and DRVDD, use several different decoupling capacitors for both high and low frequencies. Place these capacitors near the point of entry at the PCB level and near the pins of the device, with minimal trace length.

A single PCB ground plane is typically sufficient when using the [AD9249](#). With proper decoupling and smart partitioning of the PCB analog, digital, and clock sections, optimum performance is easily achieved.

BOARD LAYOUT CONSIDERATIONS

For optimal performance, give special consideration to the [AD9249](#) board layout. The high channel count and small footprint of the [AD9249](#) create a dense configuration that must be managed for matters relating to crosstalk and switching noise.

Sources of Coupling

Trace pairs interfere with each other by inductive coupling and capacitive coupling. Use the following guidelines:

- Inductive coupling is current induced in a trace by a changing magnetic field from an adjacent trace, caused by its changing current flow. Mitigate this effect by making traces orthogonal to each other whenever possible and by increasing the distance between them.
- Capacitive coupling is charge induced in a trace by the changing electric field of an adjacent trace. Mitigate this effect by minimizing facing areas, increasing the distance between traces, or changing dielectric properties.
- Through-vias are particularly good conduits for both types of coupling and must be used carefully.
- Adjacent trace runs on the same layer may cause unbalanced coupling between channels.
- Traces on one layer should be separated by a plane (ac ground) from the traces on another layer. Significant coupling occurs through gaps in that plane, such as the setback around through-vias.

Crosstalk Between Inputs

To avoid crosstalk between inputs, consider the following guidelines:

- When routing inputs, sequentially alternate input channels on the top and bottom (or other layer) of the board.
- Ensure that the top channels have no vias within 5 mm of any other input channel via.
- For bottom channels, use a via-in-pad to minimize top metal coupling between channels.
- Avoid running input traces parallel with each other that are nearer than 2 mm apart.
- When possible, lay out traces orthogonal to each other and to any other traces that are not dc.
- Secondhand or indirect coupling may occur through non-related dc traces that bridge the distance between two traces or vias.

Coupling of Digital Output Switching Noise to Analog Inputs and Clock

To avoid the coupling of digital output switching noise to the analog inputs and the clock, use the following guidelines:

- Vias on the outputs are a main conduit of noise to the vias on the inputs. Maintain 5 mm of separation between any output via and any input via.
- Place the encode clock traces on the top surface. Vias are not recommended in the clock traces. However, if they are required, ensure that there are no clock trace vias within 5 mm of any input via or output via.
- Place output surface traces (not imbedded between planes) orthogonal to one another as much as possible. Avoid parallel output to input traces within 2 mm.
- Route digital output traces away from the analog input side of the board.
- Coupling among outputs is not a critical issue, but separation between these high speed output pairs increases the noise margin of the signals and is good practice.

CLOCK STABILITY CONSIDERATIONS

When powered on, the [AD9249](#) enters an initialization phase where an internal state machine sets up the biases and the registers for proper operation. During the initialization process, the [AD9249](#) needs a stable clock. If the ADC clock source is not present or not stable during ADC power-up, the state machine is disrupted and the ADC starts up in an unknown state. To correct this, reinvoke an initialization sequence after the ADC clock is stable by issuing a digital reset using Register 0x08. In the default configuration (internal V_{REF} , ac-coupled input) where V_{REF} and V_{CM} are supplied by the ADC itself, a stable clock during power-up is sufficient. When V_{REF} or V_{CM} is supplied by an external source, it, too, must be stable at power-up. Otherwise, a subsequent digital reset, using Register 0x08, is needed. The pseudocode sequence for a digital reset follows:

```
SPI_Write (0x08, 0x03); # digital reset
```

```
SPI_Write (0x08, 0x00); # normal operation
```

VCM

Decouple the VCMx pin to ground with a 0.1 μ F capacitor.

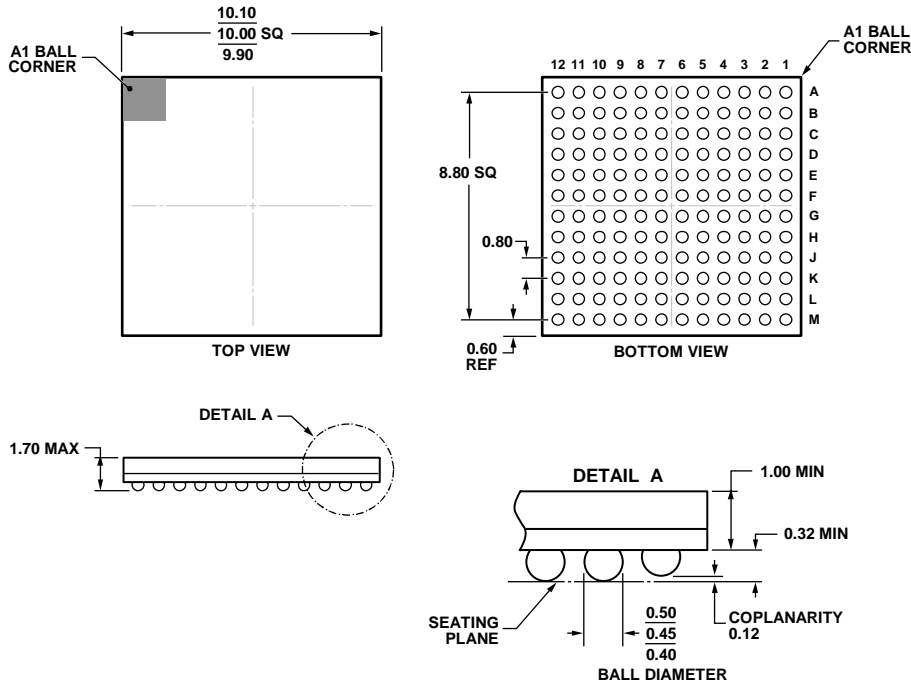
REFERENCE DECOUPLING

Decouple the VREF pin externally to ground with a low ESR, 1.0 μ F capacitor in parallel with a low ESR, 0.1 μ F ceramic capacitor.

SPI PORT

Ensure that the SPI port is inactive during periods when the full dynamic performance of the converter is required. Because the SCLK, CSB1, CSB2, and SDIO signals are typically asynchronous to the ADC clock, noise from these signals can degrade converter performance. If the on-board SPI bus is used for other devices, it may be necessary to provide buffers between this bus and the [AD9249](#) to prevent these signals from transitioning at the converter inputs during critical sampling periods.

OUTLINE DIMENSIONS



COMPLIANT TO JEDEC STANDARDS MO-275-EEAB-1.

11-18-2011-A

Figure 51. 144-Ball Chip Scale Package Ball Grid Array [CSP_BGA] (BC-144-7)
Dimensions shown in millimeters

ORDERING GUIDE

| Model ¹ | Temperature Range | Package Description | Package Option |
|--------------------|-------------------|---|----------------|
| AD9249BBCZ-65 | -40°C to +85°C | 144-Ball Chip Scale Package Ball Grid Array [CSP_BGA] | BC-144-7 |
| AD9249BBCZRL7-65 | -40°C to +85°C | 144-Ball Chip Scale Package Ball Grid Array [CSP_BGA] | BC-144-7 |
| AD9249-65EBZ | | Evaluation Board | |

¹ Z = RoHS Compliant Part.